

**Reservdelskatalog**  
**Parts catalogue**



SM 460

Hydraulsystem

Hydraulic System

Grupp R 1  
Group

Sida 2  
Page

Pos. Fig.	Det.nr Part No.	Anfal Qty	Benämning	Description	Anmärkning Notes
1	6621476	1	Bränsle- och hydraultank .....	Fuel and oil tank .....	Se R 2, See R 2
2	6621477	1	Hydraultank, komplett	Hydraulic oil tank, complete	Se R 2, See R 2
3	6621359	1	Hydraulpump	Hydraulic pump	Se R 3, See R 3
4	6619621	1	Manöverventil	Control valve	Se R 4, See R 4
5	6621455	1	Tryckregleringsventil .....	Pressure regulating valve .....	
6	755981	4	Pendel- och styrcylinder	Hydraulic pendulum cylinder	Se J 3, See J 3
7	755997	2	Bandsträckningscylinder	Hydraulic track-stretching cylinder	Se J 2, See J 2
8	C 1713	1	Stödcylinder	Supporting cylinder	Se U 19, See U 19
9	6619609	*	Slang .....	Hose .....	
10	6619607	*	Slang	Hose	
11	6621493	4	Slangklamma	Hose clip	
12	951789	2	Slangklamma	Hose clip	
13	6600612	1	Vinkel, 45° .....	Pipe elbow, 45° .....	
14	6621496	1	Slanganslutning	Hose connection	
15	6619607	*	Slang	Hose	
16	6619608	1	Slang	Hose	
17	6621464	1	Rör, komplett .....	Pipe, complete .....	
18	6617888	3	T-koppling, komplett	T-shaped threaded union	Se R 5, See R 5
19	6619605	1	Slang	Hose	
20	6621494	1	Vinkelnippel	Angular union	
21	6619617	2	Slang .....	Hose .....	
22	6617897	4	Vinkelnippel	Angular union	
23	6621468	1	Rör, komplett	Pipe, complete	
24	6621467	1	Rör, komplett	Pipe, complete	
25	6621495	2	Reducering, komplett .....	Reducing bush, complete .....	Se R 5, See R 5
26	755161	2	Nippel	Threaded union	
27	755951	5	Ventil	Valve	
28	6606367	6	Koppling, rak	Threaded union, straight	Se R 5, See R 5
29	6621462	1	Rör, komplett .....	Pipe, complete .....	
30	6621463	1	Rör, komplett	Pipe, complete	
31	6606441	13	Vinkelkoppling	Angular union	Se R 5, See R 5
32	755848	2	Rör, komplett	Pipe, complete	
33	755843	4	Slang .....	Hose .....	
	907135	2	Kopparbricka	Copper washer	
34	6621471	1	Rör, komplett	Pipe, complete	
35	6621469	1	Rör, komplett	Pipe, complete	
36	6617886	1	Skarvkoppling .....	Threaded connector .....	Se R 5, See R 5
	907135	2	Kopparbricka	Copper washer	
37	6621470	1	Rör, komplett	Pipe, complete	
38	755837	4	Slang	Hose	
39	755847	4	Svivel, komplett .....	Swivel, complete .....	
40	925058	4	O-ring	O-ring	
41	6617883	2	Nippel	Threaded union	
42	6619622	1	Rör, komplett	Pipe, complete	

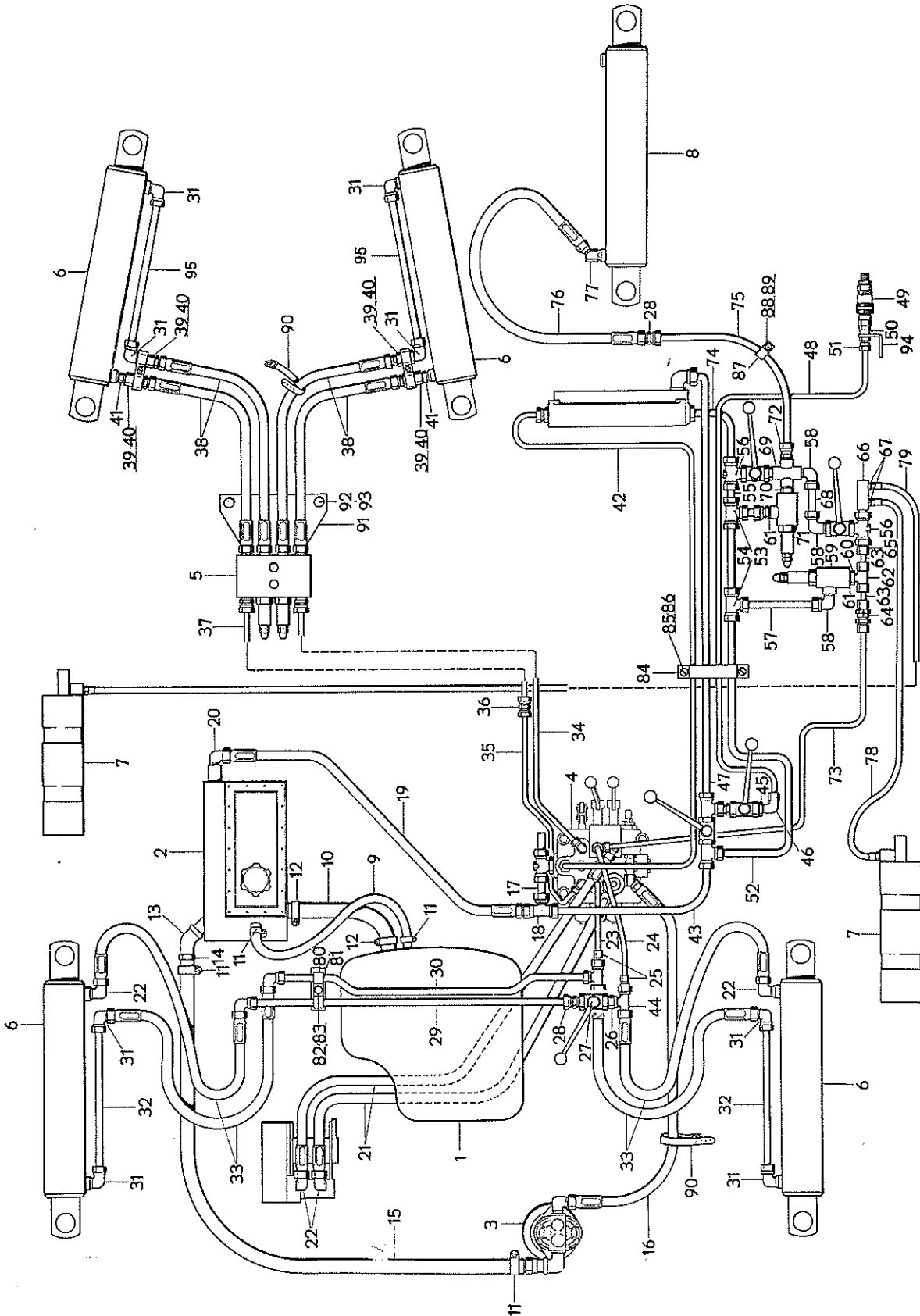
\* Säljes endast i hela meter.  
Sold only in whole meters.  
Se vende sólo por metros.  
Vendu seulement au mètres.  
Wird nur in ganzen Metern verkauft.

2726

68-3, 2 E

x

COTAS & HB 70%



Reservdelskatalog  
Parts catalogue



SM 460

Grupp R 1  
Group

Sida 4  
Page

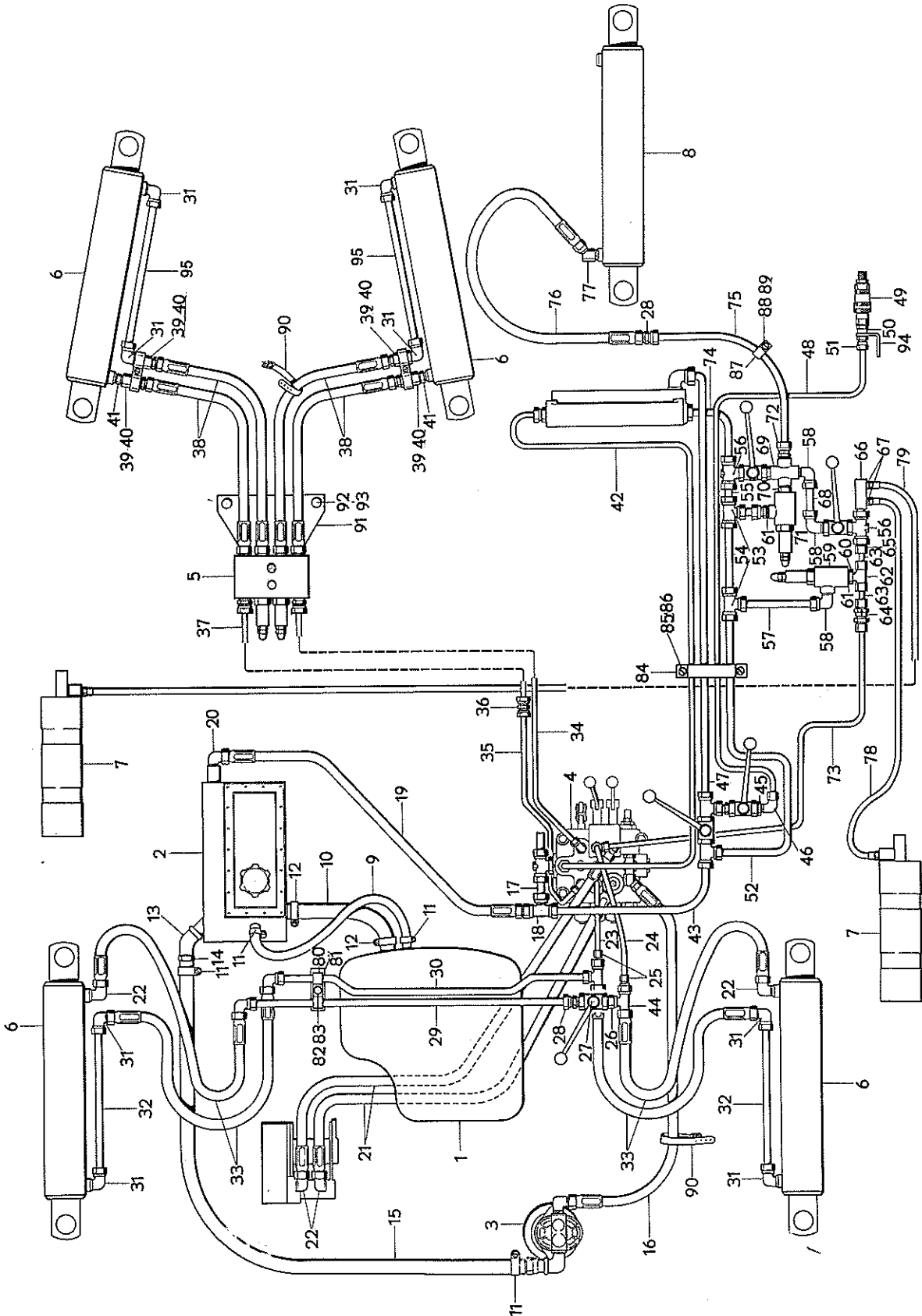
Hydraulsystem

Hydraulic System

Pos. Fig.	Det.nr Part No.	Antal Qty	Benämning	Description	Anmärkning Notes
43	6621484	1	Rör, komplett .....	Pipe, complete .....	
44	6617888	2	T-koppling, komplett	T-shaped threaded union, compl.	Se R 5, See R 5
45	6600610	1	Reduceringsnippel	Reducing union	
46	6621498	1	Vinkelkoppling, komplett	Angular union, complete	Se R 5, See R 5
47	6619623	1	Rör, komplett .....	Pipe, complete .....	
48	6621474	1	Rör, komplett	Pipe, complete	
	952626	1	Klamma	Clamp	
	940100	1	Skruv	Bolt	
	955825	1	Mutter .....	Nut .....	
	955920	1	Fjäderbricka	Spring washer	
49	755954	1	Snabbkoppling, komplett	Quick coupling, complete	Se R 5, See R 5
50	6621492	1	Nippel	Threaded union	Se R 5, See R 5
51	6606365	1	Koppling, rak .....	Threaded union, straight .....	Se R 5, See R 5
52	6619624	1	Rör, komplett	Pipe, complete	
53	6617893	2	T-koppling	T-shaped threaded union	Se R 5, See R 5
54	6619625	1	Rör, komplett	Pipe, complete	
55	6619626	1	Rör, komplett .....	Pipe, complete .....	
56	6606515	2	T-koppling	T-shaped threaded union	Se R 5, See R 5
57	6619627	1	Rör, komplett	Pipe, complete	
x 58	6606441	3	Vinkelkoppling	Angular union	Se R 5, See R 5
x 59	6625066	1	Överströmningsventil .....	Overflow valve .....	
60	6619635	1	Reduceringsnippel	Reducing union	
61	907135	2	Bricka	Washer	
62	6606513	1	T-koppling	T-shaped threaded union	Se R 5, See R 5
63	6621482	2	Rör, komplett .....	Pipe, complete .....	
64	6621497	1	Backventil	Check valve	
65	6617887	1	Reducering	Reducing bush	
66	755825	1	Anslutning	Connection	
x 67	755863	2	Nippel .....	Threaded union .....	
68	6619629	1	Rör, komplett	Pipe, complete	
69	6619636	1	Korsrör	Pipe cross	
70	6617883	2	Nippel	Threaded union	
71	755953	1	Överströmningsventil .....	Overflow valve .....	
72	6606367	2	Koppling, rak	Threaded union, straight	Se R 5, See R 5
73	6619630	1	Rör, komplett	Pipe, complete	
74	6619631	1	Rör, komplett	Pipe, complete	
75	6619632	1	Rör, komplett .....	Pipe, complete .....	
76	755165	1	Slang	Hose	
x 77	6619647	1	Nippel	Threaded union	
78	755814	1	Hydraulslang	Hydraulic line	
79	755826	1	Hydraulslang .....	Hydraulic line .....	
80	755164	7	Klamma	Clamp	
81	6621461	1	Underlägg	Backing washer	
82	955536	3	Skruv	Bolt	

2726

68-3, 2 E



Reservdelskatalog  
Parts catalogue



SM 460

Grupp  
Group R 3

Sida  
Page 2

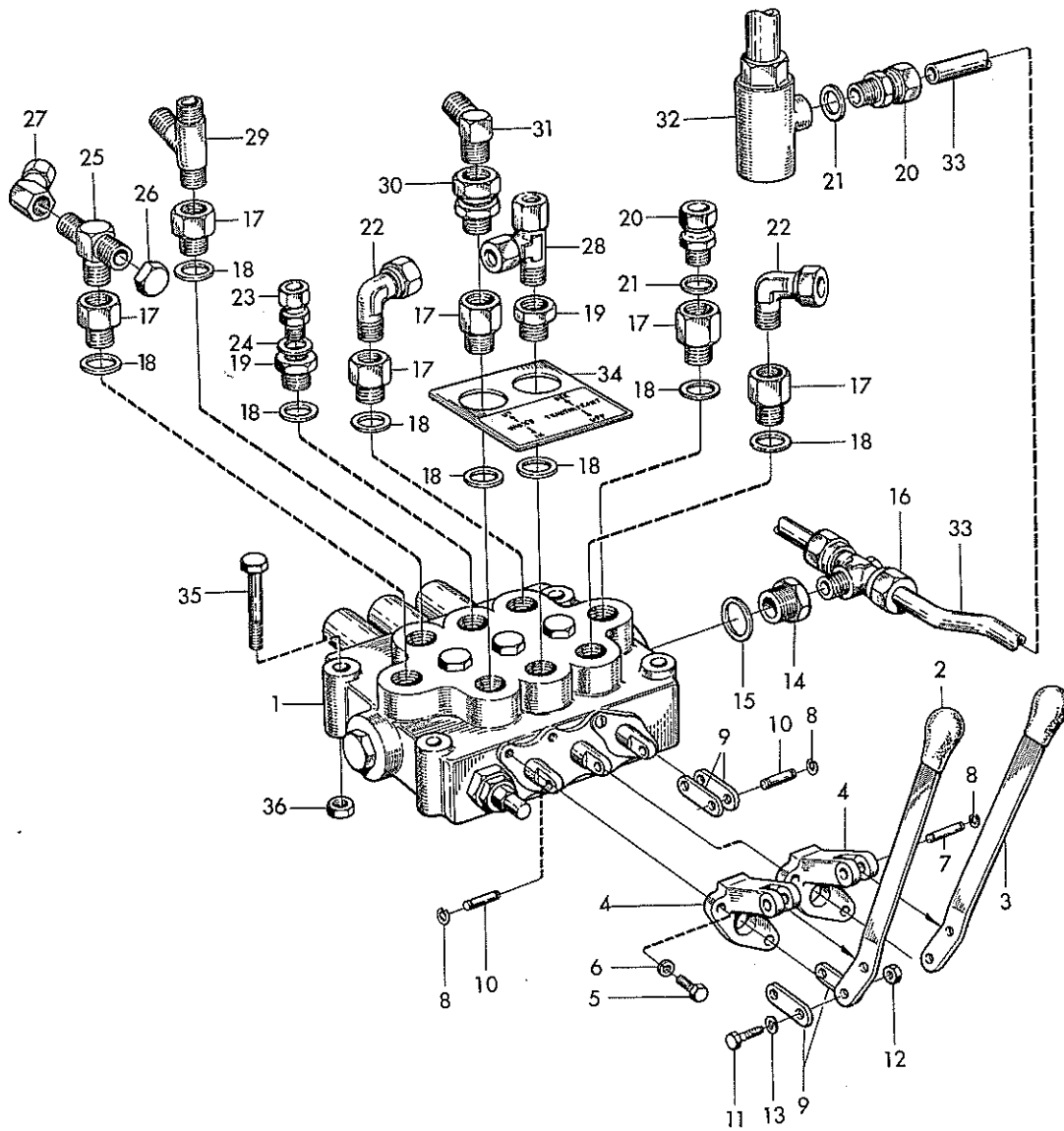
Hydraulpump

Hydraulic Pump

Pos. Fig.	Det.nr Part No.	Antal Qty	Benämning	Description	Anmärkning Notes
1	6621359	1	Hydraulpump, komplett . . . . .	Hydraulic oil pump, complete..	
2	6621356	1	Remskiva	V-belt pulley	
3	6621357	1	Kil	Key	
4	6621368	1	Stoppsskruv	Set screw	
	6621353	1	Pumpkonsol, komplett . . . . .	Pump bracket, complete . . . . .	
5	6619640	1	. Konsol	. Pump bracket	
6	6619641	1	. Fäste	. Mounting	
7	6621354	1	. Axel	. Shaft	
8	907871	1	. Saxpinne . . . . .	. Cotter pin . . . . .	
9	728413	1	. Gaffel	. Joint fork	
10	913113	1	. Länkbult	. Clevis pin	
11	907821	1	. Saxpinne	. Cotter pin	
x 12	955662	1	. Skruv . . . . .	. Bolt . . . . .	
13	6621355	2	. Brickfjäder	. Cup washer	
14	6617859	1	Vinkelnippel	Angular union	
15	6621494	1	Vinkelnippel	Angular union	
16	6600613	1	Förminskning . . . . .	Reducing union . . . . .	
17	6621496	1	Slanganslutning	Hose connection	
x 18	955548	2	Skruv	Bolt	
x 19	958350	1	Kilrem	V-belt	sats, set
20	6621358	1	Skyddsplåt . . . . .	Guard plate . . . . .	
x	734822	1	Propp	Plug	

2726

68-3, 2 E



Reservdelskatalog  
Parts catalogue



SM 460

Grupp R 4  
Group

Sida 2  
Page

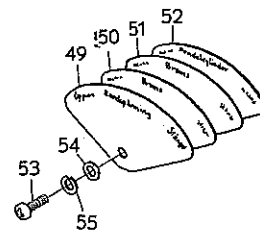
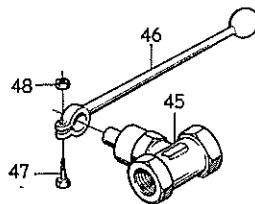
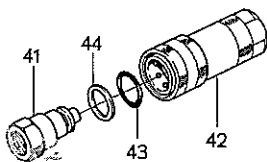
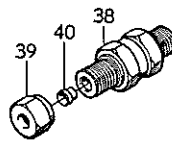
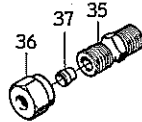
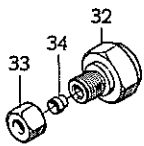
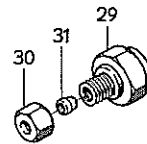
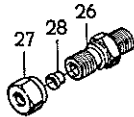
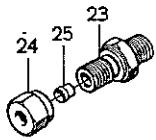
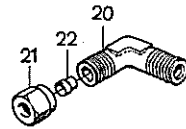
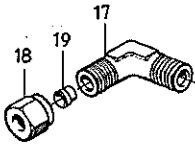
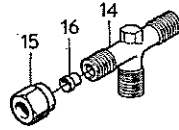
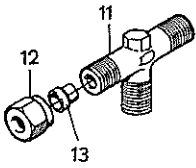
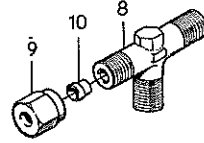
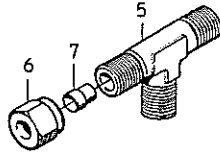
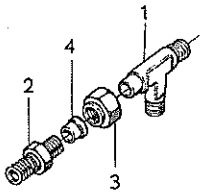
Manöverventil

Control Valve

Pos. Fig.	Det.nr Part No.	Antal Qty	Benämning	Description	Anmärkning Notes
	6621369	1	Manöverventil, komplett .....	Control valve, complete .....	
1	755928	1	. Manöverventil	. Control valve	
2	6621370	1	. Spak	. Operating lever	
3	6619642	1	. Spak	. Operating lever	
4	755931	2	. Fäste .....	. Lever mounting .....	
x 5	955814	4	. Skruv	. Bolt	
6	955920	4	. Fjäderbricka	. Spring washer	
7	755932	2	. Cyl. pinne	. Cylindrical pin	
8	755933	16	. Spårring .....	. Circlip .....	
9	755935	8	. Länk	. Link	
10	755936	6	. Cyl. pinne	. Cylindrical pin	
x 11	955659	2	. Skruv	. Bolt	
12	950383	2	. Mutter .....	. Nut .....	
13	955934	2	. Fjäderbricka	. Spring washer	
14	6621501	1	. Reducering	. Reducing union	
15	907139	1	. Packning	. Gasket	
	6619643	1	. Plugg .....	. Plug .....	
16	6606515	1	. T-koppling, komplett	. T-shaped threaded union, compl.	Se R 5, See R 5
17	6621980	6	. Reducering	. Reducing union	
18	907137	8	. Packning	. Gasket	
19	6617193	2	. Reducering .....	. Reducing union .....	
20	6606367	1	. Koppling, komplett	. Threaded union, complete	Se R 5, See R 5
21	907135	1	. Packning	. Gasket	
22	6606441	3	. Vinkelkoppling, komplett	. Threaded elbow union, complete	Se R 5, See R 5
23	6606365	1	. Koppling, komplett .....	. Threaded union, complete .....	Se R 5, See R 5
24	907134	2	. Packning	. Gasket	
25	6621499	1	. T-nippel	. T-shaped threaded union	
26	755817	1	. Huv	. Hood	
27	6621500	1	. Koppling, komplett .....	. Threaded union, complete .....	Se R 5, See R 5
28	6619645	1	. T-koppling, komplett	. T-shaped threaded union, compl.	
29	6619646	1	. T-nippel	. T-shaped threaded union	
30	6619647	1	. Koppling, komplett	. Threaded union, complete	
x 31	6617859	1	. Vinkelnippel .....	. Angular union .....	
32	755953	1	. Överströmningsventil	. Overflow valve	
33	6619648	1	. Rör, komplett	. Pipe, complete	
34	755964	1	. Skylt	. Sign plate	
35	955542	3	. Skruv .....	. Bolt .....	
36	6621443	3	. Mutter	. Nut	

2726

68-3, 2 E



Reservdelskatalog  
Parts catalogue



SM 460

Grupp  
Group R 5

Sida  
Page 2

Rörkopplingar och ventiler Threaded Unions and Valves

Pos. Fig.	Def.nr Part No.	Antal Qty	Benämning	Description	Anmärkning Notes
1	6619645	1	T-koppling, komplett . . . . .	T-shaped threaded union, compl.	
2	957042		. Nippel	. Threaded union	
3	956984	3	. Mutter	. Nut	
4	956970	3	. Skärring	. Sealing cone	
5	6617888	1	T-koppling, komplett . . . . .	T-shaped threaded union, compl.	
6	956986	2	. Mutter	. Nut	
7	956972	2	. Skärring	. Sealing cone	
8	6606515	1	T-koppling, komplett	T-shaped threaded union, compl.	
9	956986	2	. Mutter . . . . .	. Nut . . . . .	
10	956972	2	. Skärring	. Sealing cone	
11	6606513	1	T-koppling, komplett	T-shaped threaded union, compl.	
12	956984	2	. Mutter	. Nut	
13	956970	2	. Skärring . . . . .	. Sealing cone . . . . .	
14	6617893	1	T-koppling, komplett	T-shaped threaded union, compl.	
15	956986	3	. Mutter	. Nut	
16	956972	3	. Skärring	. Sealing cone	
17	6606439	1	Vinkelkoppling, komplett . . . . .	Threaded elbow union, complete .	
18	956984	1	. Mutter	. Nut	
19	956970	1	. Skärring	. Sealing cone	
20	6606441	1	Vinkelkoppling, komplett	Threaded elbow union, complete	
21	956986	1	. Mutter . . . . .	. Nut . . . . .	
22	956972	1	. Skärring	. Sealing cone	
23	6606365	1	Rak koppling, komplett	Threaded union, straight, compl.	
24	956984	1	. Mutter	. Nut	
25	956970	1	. Skärring . . . . .	. Sealing cone . . . . .	
26	6606367	1	Rak koppling, komplett	Threaded union, straight, compl.	
27	956986	1	. Mutter	. Nut	
28	956972	1	. Skärring	. Sealing cone	
29	6621495	1	Reducering, komplett . . . . .	Reducing union, complete . . . . .	
30	956984	1	. Mutter	. Nut	
31	956974	1	. Skärring	. Sealing cone	
32	6617887	1	Reducering, komplett	Reducing union, complete	
33	956986	1	. Mutter . . . . .	. Nut . . . . .	
34	956972	1	. Skärring	. Sealing cone	
35	6617886	1	Skarvkoppling, komplett	Threaded connector, complete	
36	956986	2	. Mutter	. Nut	
37	956972	2	. Skärring . . . . .	. Sealing cone . . . . .	
38	6621497	1	Backventil, komplett	Check valve, complete	
39	956984	1	. Mutter	. Nut	
40	956970	1	. Skärring	. Sealing cone	
	755954	1	Snabbkoppling, komplett . . . . .	Quick coupling, complete . . . . .	
41	6621816	1	. Hane	. Male part	




Reservdelskatalog  
Parts catalogue



SM 460

Grupp  
Group R 5

Sida  
Page 4

Rörkopplingar och ventiler Threaded Unions and Valves

Pos. Fig.	Del.nr Part No.	Antal Qty	Benämning	Description	Anmärkning Notes
42	6621815	1	. Hona, komplett .....	. Female part, complete .....	
43	6611880	1	. . O-ring	. . O-ring	
44	6612586	1	. . Stödtring	. . Retainer	
	6611462	1	Skyddslock	Protective cover	
	6611463	1	Skyddspropp .....	Protective plug .....	
45	755951	1	Avstängningsventil, komplett	Shut-off valve, complete	
46	755867	1	. Spak	. Lever	
47	916357	1	. Skruv	. Bolt	
48	906575	1	. Mutter .....	. Nut .....	
49	755868	1	Skylt för ventil, bandspänning	Sign plate for valve, track tension	
50	755896	1	Skylt för ventil, broms	Sign plate for valve, brake	
51	755870	1	Skylt för ventil, broms	Sign plate for valve, brake	
52	6621481	1	Skylt för ventil, pendelcylinder.	Sign plate for valve, pendulum cylinder .....	
53	925665	4	Skruv	Bolt	
54	955892	4	Bricka	Washer	
55	955919	4	Fjäderbricka	Spring washer	

Det. nr Part No.	Ant. Qty.	Benämning	Description	Denominación	Désignation	Benennung	Anm. Notes
736392	1	Verktygspåse	Tool bag	Bolsita de herramientas	Trousse à outils	Werkzeugbeutel	
9820740	1	Skruvmejsel	Screw driver	Destornillador	Tournevis	Schraubenzieher	
7000872	1	Skiftnyckel	Adjustable wrench	Llave semifija	Clé à ouverture réglable	Schraubenschlüssel, verstellbar	
705544	1	Hylsnyckel	Box spanner	Llave tubular	Clé à douille	Steckschlüssel	
6611274	1	Fast nyckel	Wrench	Llave	Clé	Schraubenschlüssel	
6602926	1	Kombinationstång	Combination pliers	Alicates universales	Pince, universelle	Kombinationszange	
7000930	1	Hammare	Ball hammer	Martillo de bola	Marteau à balle	Ballhammer	
795072	1	Smörjspruta, komplett	Grease gun, complete	Bomba de grasa, completa	Pompe à graisse, complète	Fettpresse, komplette	
753104	1	Smörjslang	Lubricating hose	Flexible engrasador	Tuyau flexible de graissage	Schmierschlauch	
795094	1	Nippel	Connector	Racor	Raccord	Anschlussnippel	
705543	1	Svängjärn, komplett	Tommy bar, complete	Pasador para llave tubular, completo	Poignée pour clé à douille, complète	Drehstift, kompletter	
907213	1	Räffelpinne	Slotted pin	Pasador ranurado	Goupille cannelée	Riffelstift	
755664	1	Spännbjörn för band	Track-tightening iron	Hierro tensor de orugas	Fer tendeur de chenilles	Raupenspanneisen	
755665	1	S-krok	S-hook	Gancho de S	Crochet en S	S-Haken	
755666	1	Kätting	Chain	Cadena	Chaîne	Kette	
914677	1	6-kant nyckel	Hexagon wrench	Llave hexagonal	Clé hexagonale	Sechskantschlüssel	

Grupp  
Group S 1

Sida  
Page 1

SM 460

Verktyg

Tools



Reservdelskatalog  
Parts catalogue

Reservdelskatalog  
Parts catalogue



SM 460

Grupp  
Group U 1

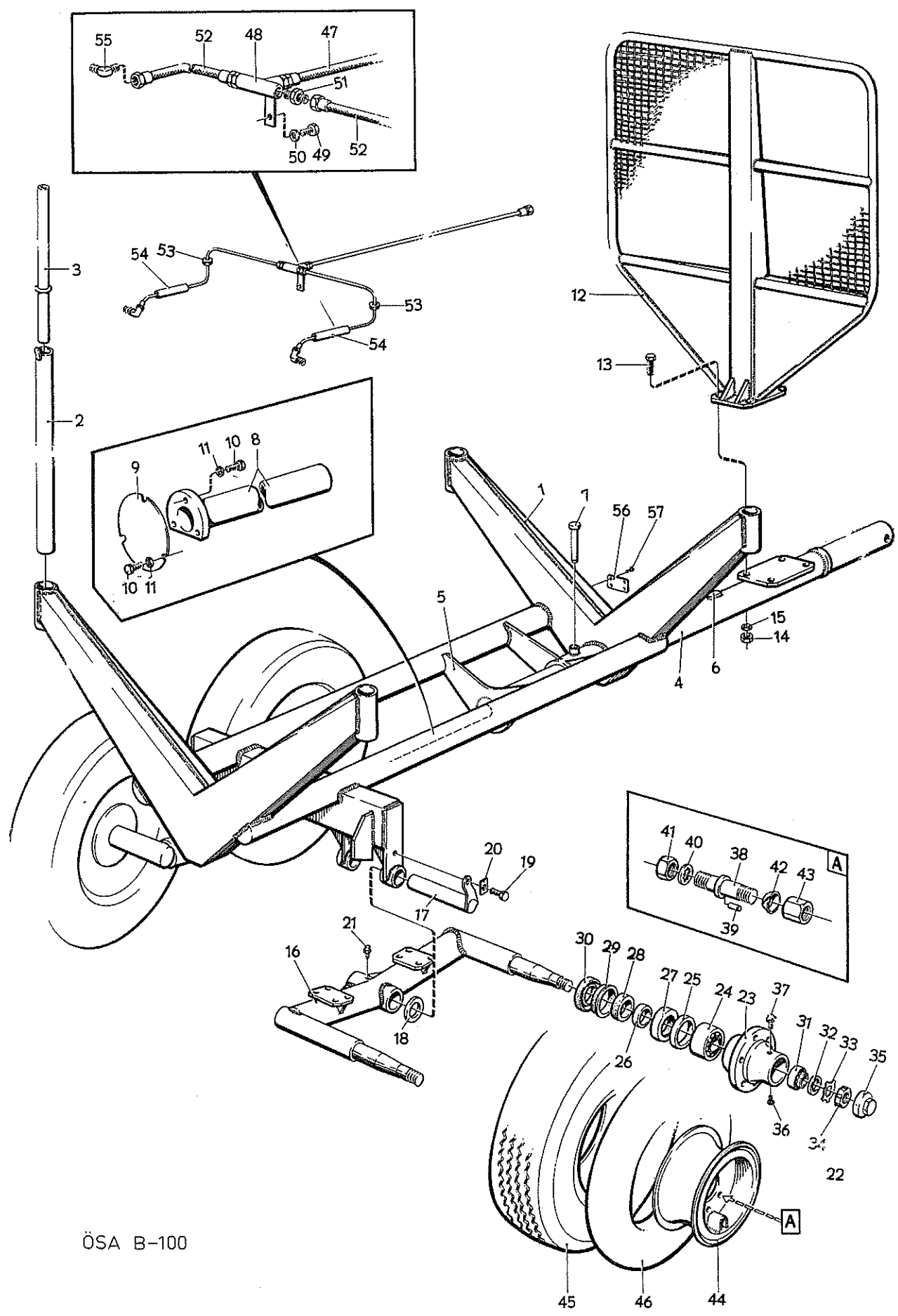
Sida  
Page 2

Skogsvagn ÖSA-66/2

Logging Trailer ÖSA 66/2

Pos. Fig.	Def.nr Part No.	Antal Qty	Benämning	Description	Anmärkning Notes
1	C 1624	1	Vagnram .....	Trailer frame .....	
2	E 3343	4	Nedre stöttedel	Stantion, lower part	
3	E 1518	4	Övre stöttedel	Stantion, upper part	
4	C 1152	1	Dragrör	Towing tube	
5	D 1278	1	Dragrörsstyrning .....	Towing tube guide .....	
6	E 2008	2	Stopplack	Stop	
7	E 1520	1	Låstapp	Faucet	
8	D 2079	1	Skyddsror	Guard tube	
9	4146-34	1	Täckbricka .....	Covering disc .....	
10	940113	6	Skruv	Bolt	
11	955921	6	Fjäderbricka	Spring washer	
12	B 1403	1	Framläm, komplett	Front panel, complete	
	C 1608	1	. Redskapsfack .....	. Implement compartment .....	
	4128-20	2	. Spettfäste	. Crow bar holder	
	B 1398	1	. Verktyglåda, komplett	. Tool box, complete	
	9487	1	. . Excenterregel	. . Eccentric lock	
	8442	1	. . Hake .....	. . Hook .....	
	955524	3	. Skruv	. Bolt	
	955826	3	. Mutter	. Nut	
	7782	3	. Bricka	. Washer	
	955921	3	. Fjäderbricka .....	. Spring washer .....	
13	921918	4	Skruv	Bolt	
x 14	955830	4	Mutter	Nut	
x 15	955928	4	Fjäderbricka	Spring washer	
x 16	101097	1	Boggie, höger .....	Bogie, R. H. ....	1)
x	101301	1	Boggie, höger	Bogie, R. H.	2)
x	101096	1	Boggie, vänster	Bogie, L. H.	1)
x	101300	1	Boggie, vänster	Bogie, L. H.	2)
17	E 1543	2	Boggieaxel .....	Bogie axle .....	
18	4122-54	4	Bricka	Washer	
x 19	955562	2	Skruv	Bolt	1)
x	955602	2	Skruv	Bolt	2)
x 20	E 3527	2	Vikbricka .....	Lock washer .....	1)
x	E 3526	2	Vikbricka	Lock washer	2)
x	E 5069	2	Bricka	Washer	
21	914170	2	Smörjnippel	Lubricator	
22	8035	4	Nav, komplett .....	Hub, complete.....	
23	9500	4	. Nav	. Hub	
24	8510	4	. Rullager	. Roller bearing	
25	9501	4	. Distansring	. Spacing ring	
26	9502	4	. Stödning, inre .....	. Retaining ring, inner .....	
27	9503	4	. Tätningsring	. Seal ring	
		1)	Tidigare utförande. Earlier model. Modelo más antiguo. Modèle plus ancien. Frühere Ausführung.		
		2)	Senare utförande. Later model. Modelo más reciente. Modèle plus recent. Spätere Ausführung		

2726  
68-3, 2E



ÖSA B-100

Reservdelskatalog  
Parts catalogue



SM 460

Skogsvagn ÖSA-66/2

Logging Trailer ÖSA 66/2

Grupp U 1  
Group

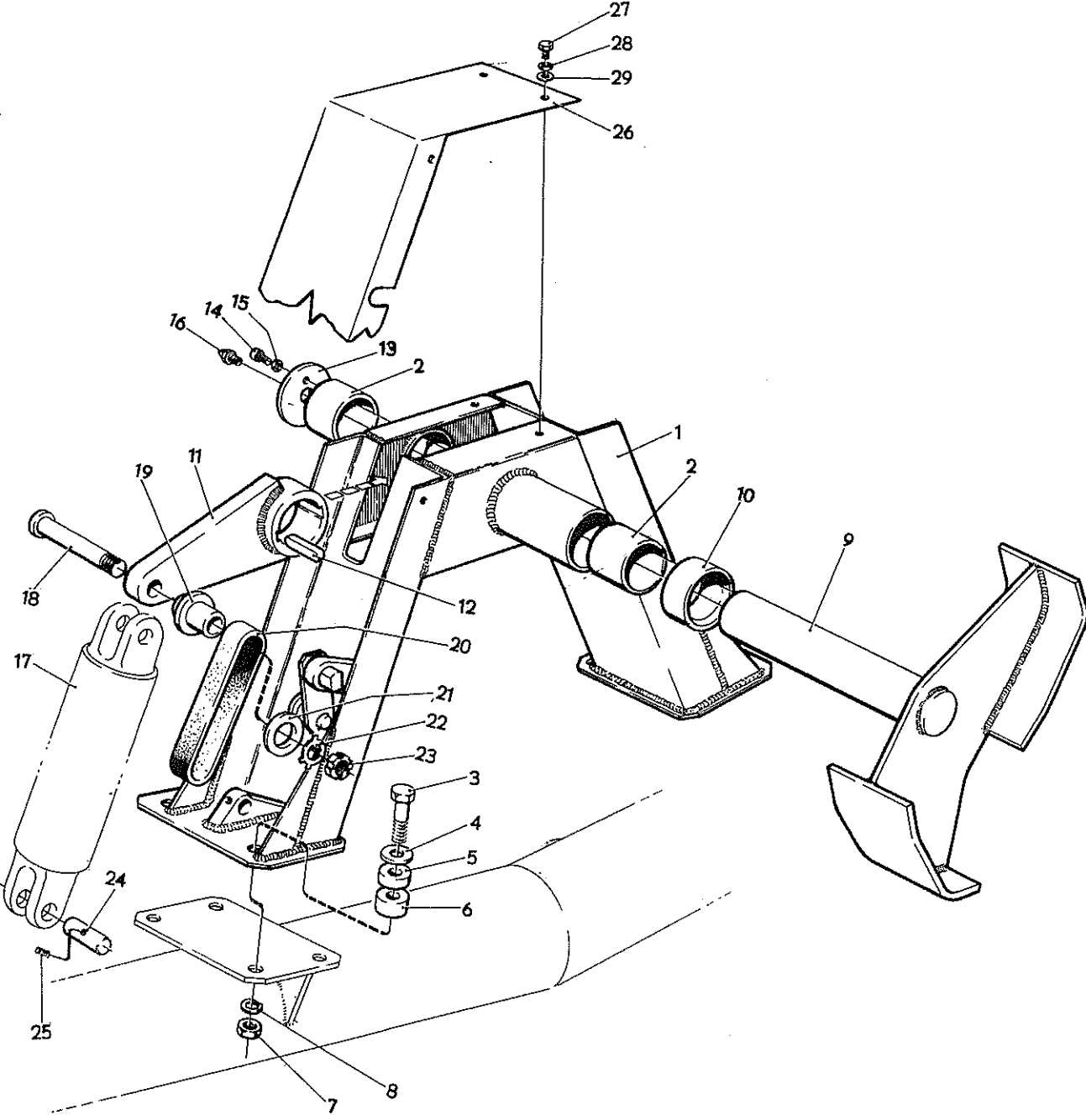
Sida 4  
Page

Pos. Fig.	Del.nr Part No.	Antal Qty	Benämning	Description	Anmärkning Notes	
28	9504	4	. Labyrinttätning, inre .....	. Maze seal, inner .....		
29	9505	4	. Labyrinttätning, yttre	. Maze seal, outer		
30	9506	4	. Stödning, yttre	. Retaining ring, outer		
31	8506	4	. Rullager	. Roller bearing		
32	9507	4	. Slitbricka .....	. Wearing washer .....		
33	8527	4	. Låsbricka	. Lock washer		
34	8523	4	. Låsmutter	. Lock nut		
35	9508	4	. Navkapsel	. Hub cap		
36	9509	4	. Låsskruv .....	. Lock screw .....		
37	914170	4	. Smörjnippel	. Lubricator		
38	9510	24	. Navbult	. Rim bolt		
39	9511	24	. Knaster	. Lock pin		
40	9512	24	. Låsbricka .....	. Lock washer .....		
41	9513	24	. Låsmutter	. Lock nut		
42	9514	24	. Konisk fjäderhylsa	. Taper spring sleeve		
43	9515	24	. Navmutter	. Rim nut		
x	101086	4	Hjul, komplett, 12 lag. ....	Wheel, complete, 12 ply. ....	1) 11, 00x 20"	
x	101295	4	Hjul, komplett, 10 lag.	Wheel, complete, 10 ply.	2) 500x 22, 5"	
x	44	D 2105	4	. Fälg	. Wheel rim	1)
x	E 3852	4	4	. Fälg	. Wheel rim	2)
x	45	9384	4	. Däck .....	. Tyre .....	1)
x	9254	4	4	. Däck	. Tyre	2)
x	46	9385	4	. Slang	. Inner tube	1)
x	9264	4	4	. Slang	. Inner tube	2)
47	9105	1	Hydraulslang .....	Hydraulic line .....		
48	E 1232	1	Anslutning	Three-way connector		
49	940113	1	Skruv	Bolt		
50	955921	1	Fjäderbricka	Spring washer		
51	7603	3	Nippel .....	Threaded union .....		
52	8993	2	Hydraulslang	Hydraulic line		
53	7039347	2	Gummibussning	Rubber bush		
54	E 3641	2	Skyddsror	Guard tube		
55	8781	2	Vinkelnippel .....	Elbow union .....		

1) Tidigare utförande.  
Earlier model.  
Modelo más antiguo.  
Modèle plus ancien.  
Frühere Ausführung

2) Senare utförande.  
Later model.  
Modelo más reciente.  
Modèle plus récent.  
Spätere Ausführung

2726  
68-3, 2 E



Reservdelskatalog  
Parts catalogue



SM 460

Grupp U 2  
Group

Sida 2  
Page

Klaffbroms

Trailer Brakes

Pos. Fig.	Def.nr Part No.	Antal Qty	Bendmning	Description	Anmärkning Notes
x	1	101099	1	Stativ, höger, komplett .....	Brake support, R. H., complete.. 1)
x		101303	1	Stativ, höger, komplett	Brake support, R. H., complete 2)
x		101098	1	Stativ, vänster, komplett	Brake support, L. H., complete 1)
x		101302	1	Stativ, vänster, komplett	Brake support, L. H., complete 2)
	2	9481	4	. Bussning .....	. Socket .....
x	3	955567	16	Skruv	Bolt
	4	E 3635	16	Bricka	Washer
	5	E 3634	16	Bricka	Washer
	6	E 3633	16	Bricka .....	Washer .....
	7	940176	16	Mutter	Nut
	8	955924	16	Fjäderbricka	Spring washer
x	9	B1376 H	1	Bromsklack, höger	Brake shoulder, R. H. 1)
x		B1461 H	1	Bromsklack, höger .....	Brake shoulder, R. H. .... 2)
x		B1376 V	1	Bromsklack, vänster	Brake shoulder, L. H. 1)
x		B1461 V	1	Bromsklack, vänster	Brake shoulder, L. H. 2)
	10	E 3424	2	Lagerhylsa	Bearing bush
x	11	D 2156	2	Bromsarm .....	Brake arm ..... 1)
x		D 2377	2	Bromsarm	Brake arm 2)
	12	909389	4	Kil	Key
	13	E 3427	2	Bricka	Disc
	14	940114	4	Skruv .....	Bolt .....
	15	940108	4	Fjäderbricka	Spring washer
	16	914167	4	Smörjnippel	Lubricator
	17	C 1668	2	Hydraulcylinder, komplett	Hydraulic brake cylinder, compl. See U 3.
	18	E 3492	2	Ledtapp .....	Joint bolt .....
	19	E 3493	2	Distanshylsa	Spacing socket
	20	9499	2	Fjäderband	Spring band
	21	E 3494	2	Bricka	Washer
	22	8458	2	Låsbricka .....	Lock washer .....
	23	8461	2	Låsmutter	Lock nut
	24	E 3495	2	Ledtapp	Pivot pin
	25	9141	2	Låsskruv	Lock screw
x	26	D2223 H	1	Skyddsplåt, höger .....	Guard plate, R. H. .... 1)
x		D2382 H	1	Skyddsplåt, höger	Guard plate, R. H. 2)
x		D2223 V	1	Skyddsplåt, vänster	Guard plate, L. H. 1)
x		D2382 V	1	Skyddsplåt, vänster	Guard plate, L. H. 2)
	27	955534	12	Skruv .....	Bolt .....
	28	940108	12	Fjäderbricka	Spring washer
x	29	9486	12	Bricka	Washer

1) Tidigare utförande.  
Earlier model.  
Modelo más antiguo.  
Modèle plus ancien.  
Frühere Ausführung.

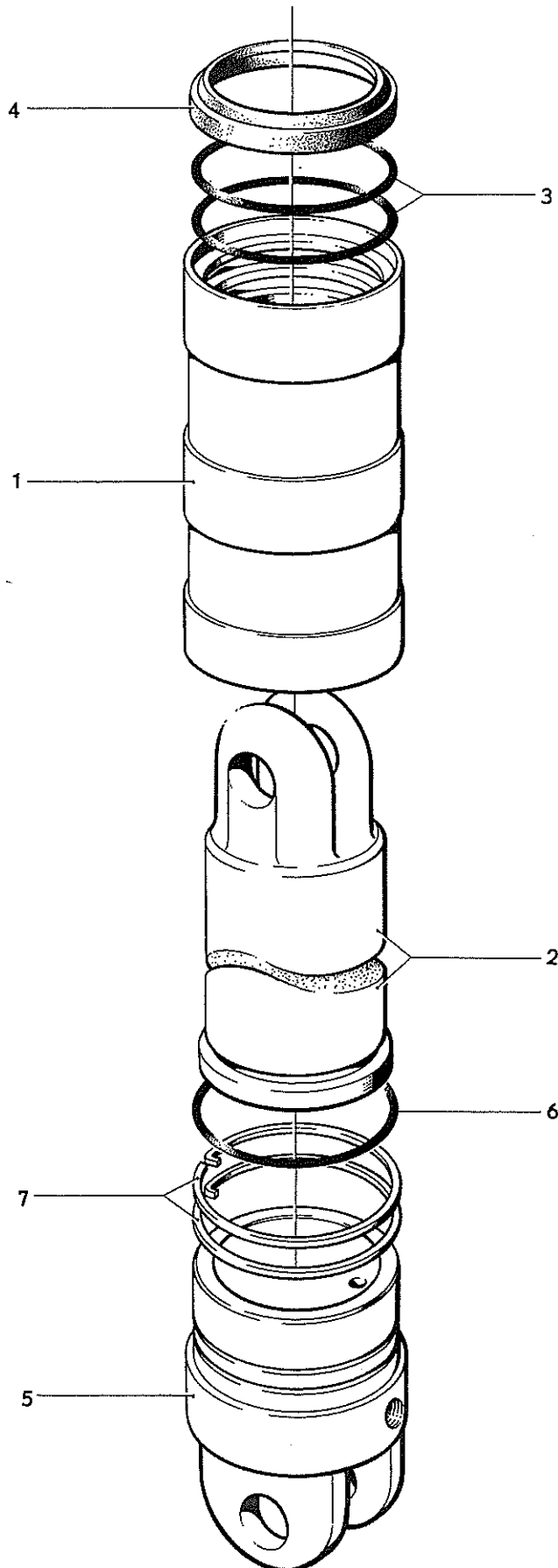
2) Senare utförande.  
Later model.  
Modelo más reciente.  
Modèle plus recent.  
Spätere Ausführung.

2726  
68-3, 2 E



Cylinder

Hydraulic Brake Cylinder



Reservdelskatalog  
Parts catalogue



SM 460

Grupp  
Group U 4

Sida  
Page 2

Vinsch

Hydraulic Winch

Pos. Fig.	Det.nr Part No.	Antal Qty	Benämning	Description	Anmärkning Notes
1	C 1698	1	Lagerhus .....	Bearing housing .....	
2	7102	1	Lager	Roller bearing	
3	E 3025	1	Lock	Bearing cover	
4	925094	1	O-ring	O-ring	
5	914540	1	Spårring .....	Circlip .....	
6	914537	1	Spårring	Circlip	
x 7	10021	1	Tätningring	Seal ring	
8	C 1702	1	Lintrumma med axel	Rope drum with shaft	
9	9598	1	Låsskruv .....	Lock screw .....	
	B 1413	1	Växelhus med gavel, komplett	Gear case with side cover, complete	
10	S. E. S.	1	. Växelhus	. Gear case	
11	S. E. S.	1	. Gavel	. Side cover	
12	950612	1	. Styrpinne .....	. Guide pin .....	
13	E 3621	1	. Bussning	. Bushing	
x 14	955536	12	. Skruv	. Bolt	
x 15	955827	12	. Mutter	. Nut	
16	940108	12	. Fjäderbricka .....	. Spring washer .....	
17	E 3658	1	Propp	Plug	
18	7384	2	Propp	Plug	
19	9604	1	Tätningring	Seal ring	
20	E 3025	3	Lock .....	Cover .....	
21	925094	3	O-ring	O-ring	
22	914540	3	Spårring	Circlip	
23	E 3597	1	Lock	Cover	
x 24	940114	5	Skruv .....	Bolt .....	
25	940108	5	Fjäderbricka	Spring washer	
26	D 2213	1	Kugghjul	Spur gear	
27	909326	2	Kil	Key	
28	7103	1	Rullager .....	Roller bearing .....	
29	9601	1	Stödring	Retaining ring	
30	914540	1	Spårring	Circlip	
31	E 3620	1	Distanshylsa	Spacing sleeve	
32	914468	1	Spårring .....	Circlip .....	
33	7132	1	Kullager	Ball bearing	
34	D 2216	1	Mellanaxel	Countershaft	
35	D 2214	1	Kugghjul	Spur gear	
36	E3619-2	1	Kil .....	Key .....	
37	D 2215	1	Kugghjul	Spur gear	
38	E3619-1	1	Kil	Key	
39	7132	2	Kullager	Ball bearing	
40	D 2208	1	Ingående axel .....	Driven shaft .....	
41	D 2209	1	Kugghjul	Gear	

2726  
68-3, 2 E

Grupp  
Group U 4

Sida  
Page 3

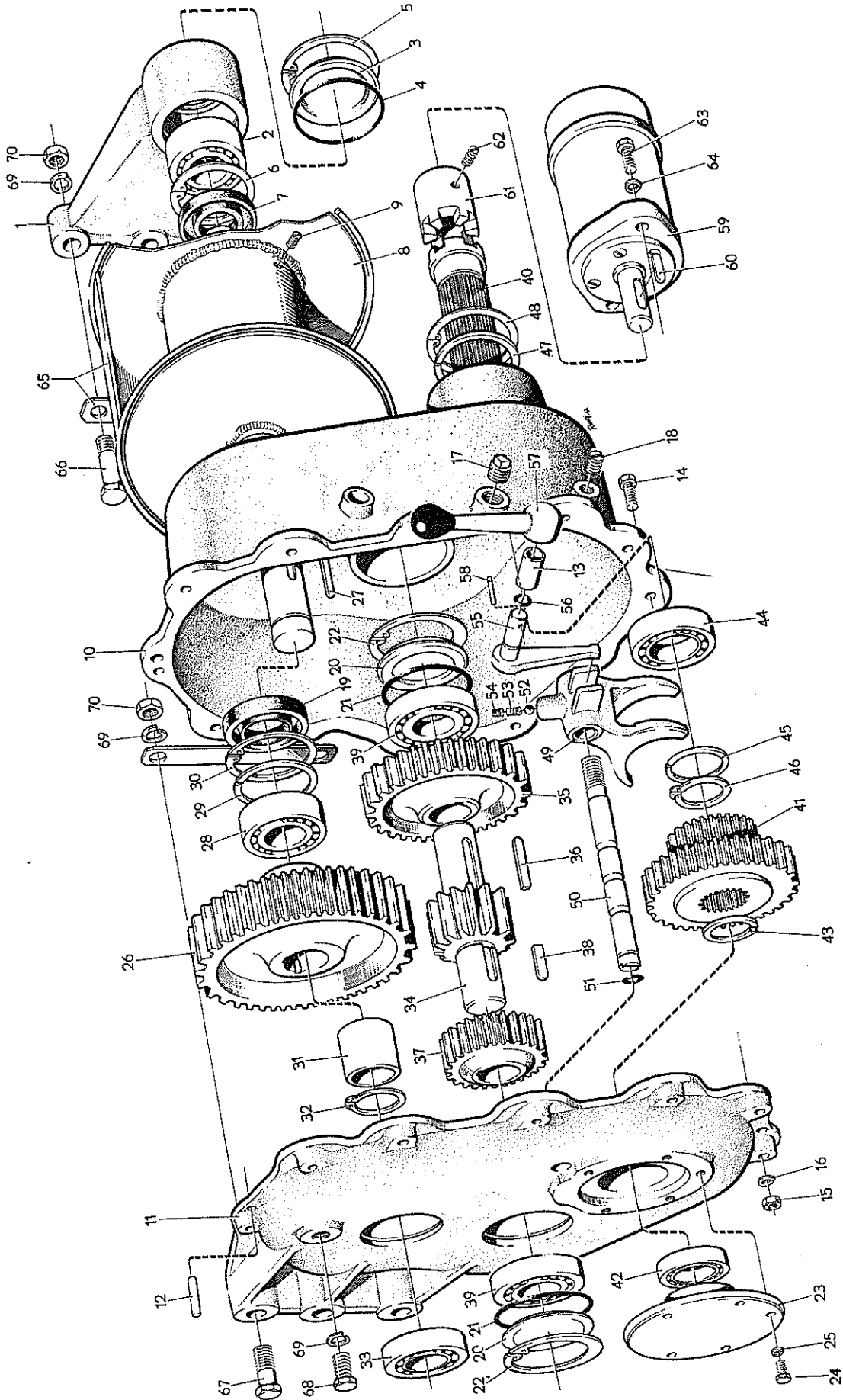
SM 460

Vinsch

Hydraulic Winch



Reservdelskatalog  
Parts catalogue



Reservdelskatalog  
Parts catalogue



SM 460

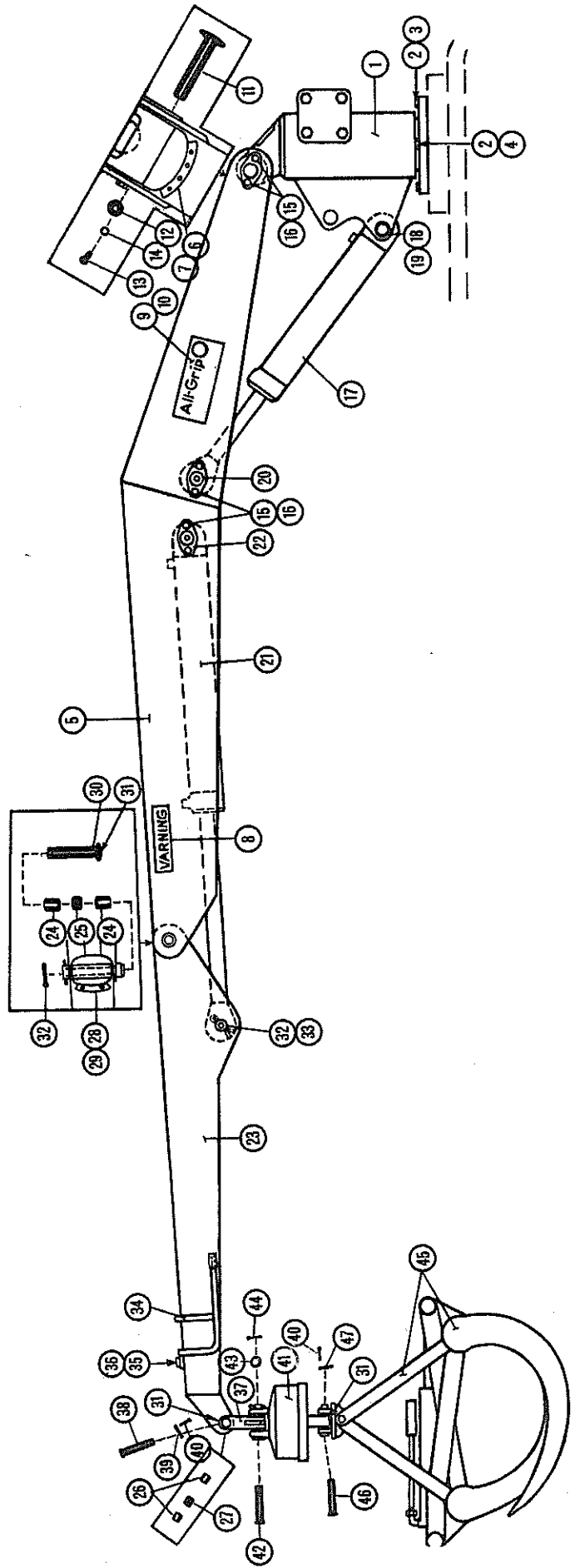
Grupp  
Group U 8

Sida  
Page 2

Griplastare

Grapple Loader

Pos. Fig.	Det.nr Part No.	Antal Qty	Benämning	Description	Anmärkning Notes
x 1	B 1197	1	Vridanordning, komplett .....	Revolving unit, complete .....	Se U 11, See U 11
2	955605	8	Skruv	Bolt	
3	E 1481	4	Bricka	Washer	
4	8880	4	Bricka	Washer	
5	101083	1	Lyftarm, komplett .....	Lift arm, complete .....	
6	E 2997	1	. Slangskydd	. Hose guard	
7	7481	4	. Drivskruv	. Drive-in screw	
8	9233	2	. Varningsskylt	. Warning sign plate	
9	9075	2	Typbeteckningsskylt .....	Type plate .....	
10	7473	12	Drivskruv	Drive-in screw	
11	E 1631	1	Axel	Shaft	
12	4133-82	1	Bricka	Washer	
x 13	955602	1	Skruv .....	Bolt .....	
x 14	955928	1	Fjäderbricka	Spring washer	
x 15	955534	6	Skruv	Bolt	
x 16	940108	6	Fjäderbricka	Spring washer	
x 17	C 1558	1	Hydraulcylinder .....	Hydraulic cylinder for lift arm..	Se U 12, See U 12
18	E 1801	1	Ledtapp	Pivot pin	
19	907914	1	Saxpinne	Cotter pin	
20	E 1629	1	Axel	Shaft	
x 21	C 1559	1	Hydraulcylinder .....	Hydraulic cylinder for swing arm	Se U 13, See U 13
22	E 1630	1	Axel	Shaft	
23	101082	1	Vipparm, komplett	Swing arm, complete	
24	8952	2	. Bussning	. Bushing	
25	E 1837	1	. Distansrör .....	. Spacing sleeve .....	
26	8942	2	. Bussning	. Bushing	
27	E 1836	1	. Distansrör	. Spacing sleeve	
	E 2275	4	. Oljerör	. Hydraulic line	
	755406	2	. Rörklamma .....	. Pipe clip .....	
x	955526	2	. Skruv	. Bolt	
x	955826	2	. Mutter	. Nut	
x	955921	4	. Fjäderbricka	. Spring washer	
	E 1583	2	. Låsjärn .....	. Locking iron .....	
x	955524	2	. Skruv	. Bolt	
	E 3300	8	. Rak koppling	. Hose connection, straight	
28	E 2996	1	. Slangskydd	. Hose guard	
29	7481	2	. Drivskruv .....	. Drive-in screw .....	
30	E 1830	1	Axel	Shaft	
31	914167	3	Smörjnippel	Lubricator	
x 32	907914	2	Saxpinne	Cotter pin	
33	E 1828	1	Axel .....	Shaft .....	
34	2133-116	1	Snabbkopplingsskydd	Quick-coupling guard	



Reservdelskatalog  
Parts catalogue



SM 460

Grupp U 8  
Group

Sida 4  
Page

Griplastare

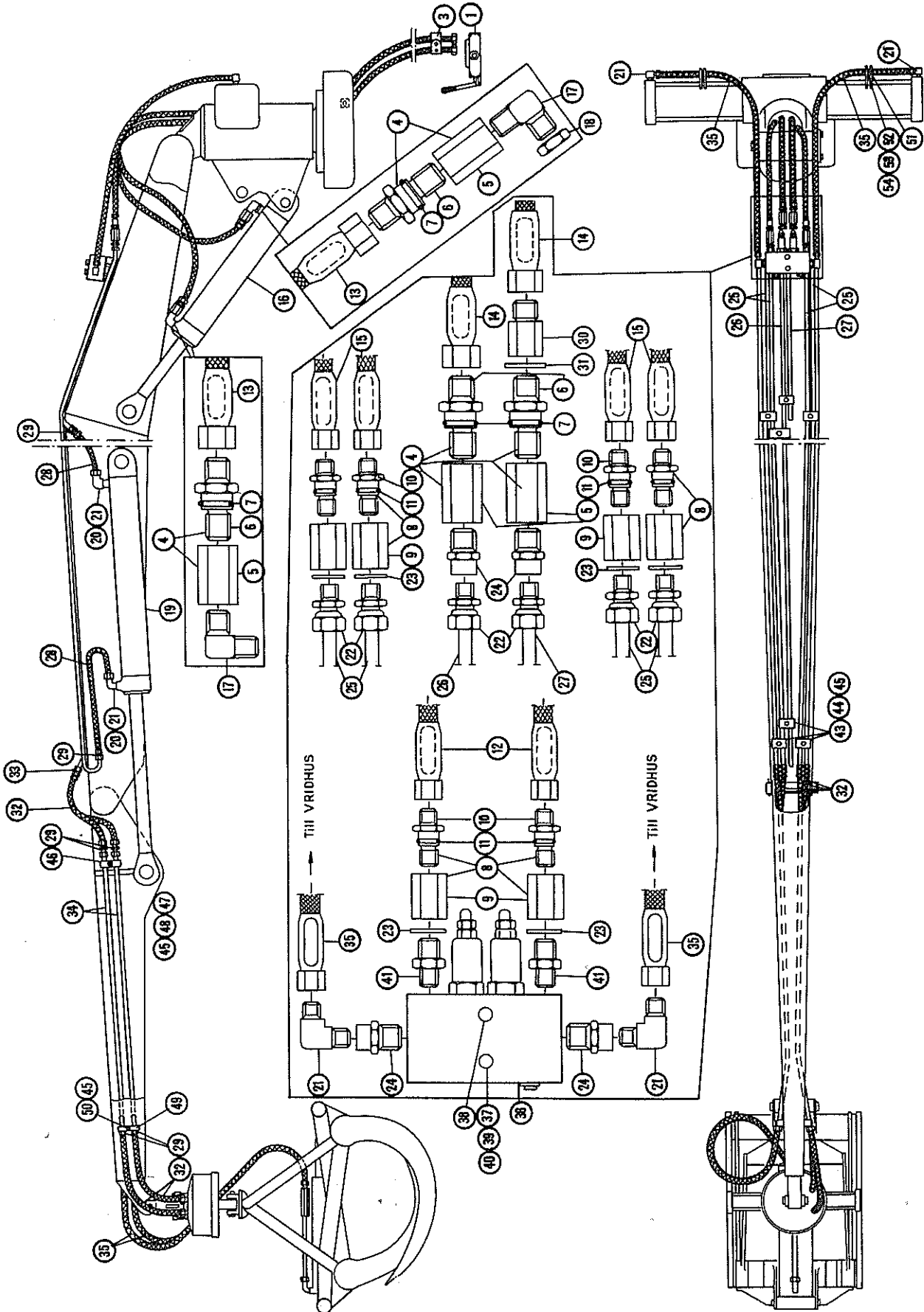
Grapple Loader

Pos. Fig.	Def.nr Part No.	Antal Qty	Benämning	Description	Anmärkning Notes
x 35	955561	1	Skruv .....	Bolt .....	
x 36	955924	1	Fjäderbricka	Spring washer	
37	101235	1	Länk, komplett	Link member, complete	
	8942	2	. Bussning	. Bushing	
	E 2418	1	. Distansrör .....	. Spacing sleeve .....	
	914169	1	Smörjnippel	Lubricator	
38	E 2429	1	Axel	Shaft	
39	E 1299	1	Låspinne	Lock pin	
x 40	907845	4	Saxpinne .....	Cotter pin .....	
x 41	C 1464	1	Rotator	Rotator	1) See U 14
x 41	101270	1	Rotator	Rotator	2)
x 42	E 2430	1	Axel	Shaft	1)
x 42	E 4223	1	Axel .....	Shaft .....	2)
x 43	955906	1	Bricka	Washer	1)
x 44	907834	1	Saxpinne	Cotter pin	1)
x 44	940156	1	Skruv	Bolt	2)
x 44	8427	1	Låsmutter .....	Lock nut .....	2)
45	C 1232	1	Gripare	Grapple	
46	4134-17	1	Axel	Shaft	
47	E 1299	1	Låspinne	Lock pin	

1) Tidigare utförande.  
Earlier model.  
Modelo más antiguo.  
Modèle plus ancien.  
Frühere Ausführung.

2) Senare utförande.  
Later model.  
Modelo más reciente.  
Modèle plus récent.  
Spätere Ausführung.

2726  
68-3, 2 E

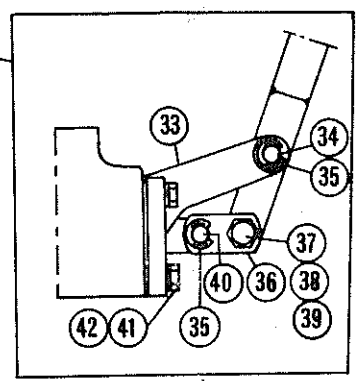
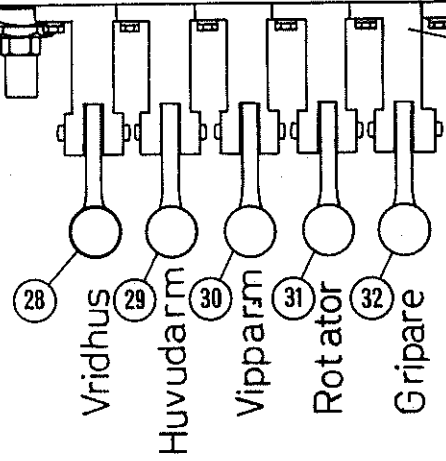
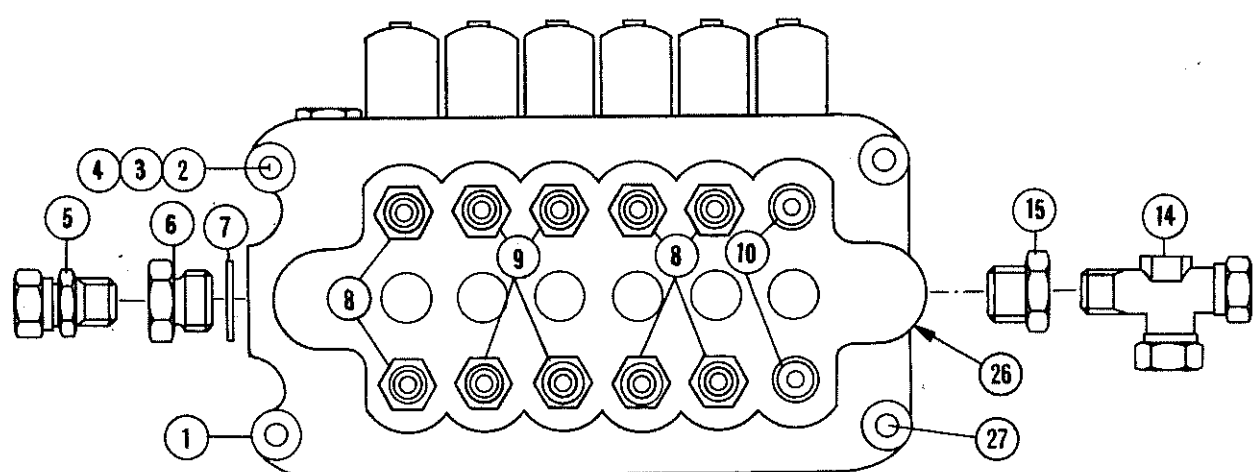
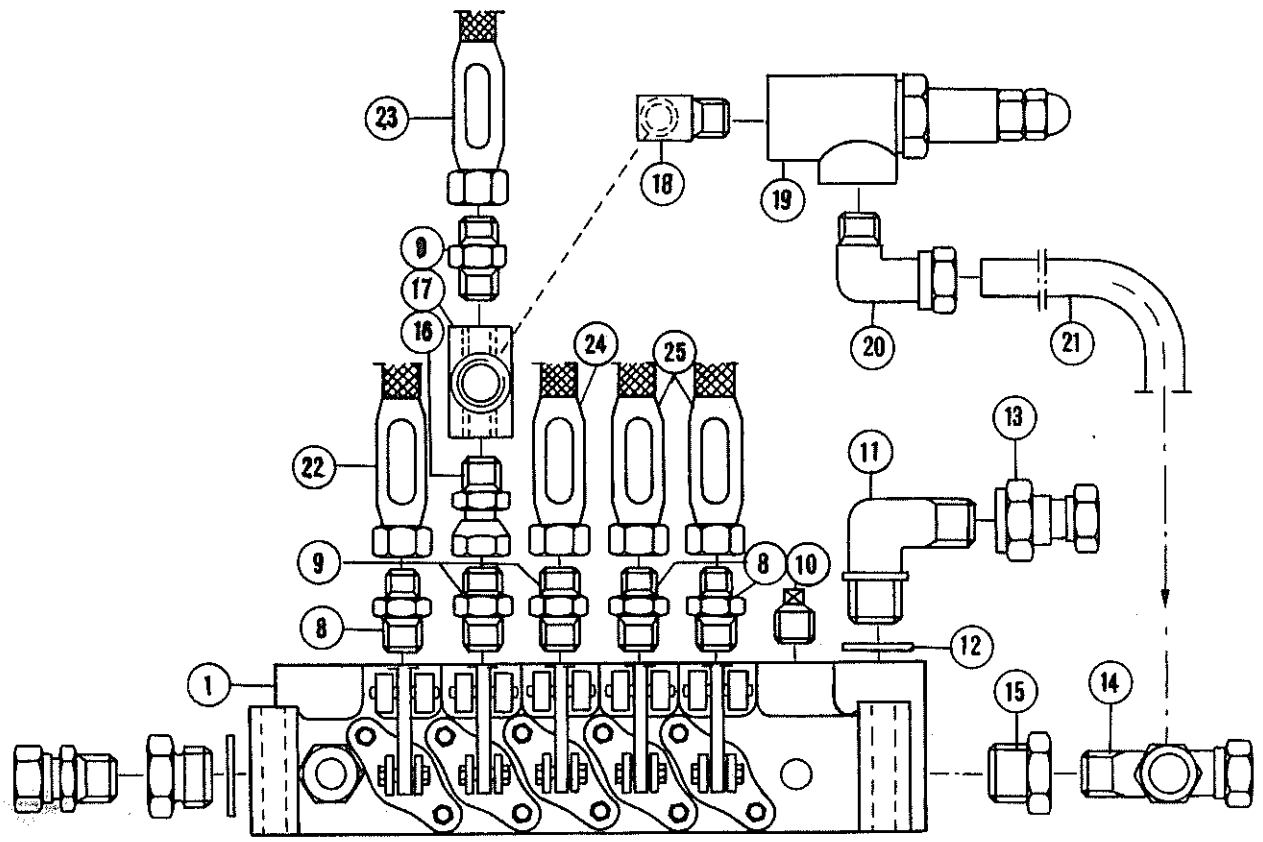




Manöverventil

Control Valve

Pos. Fig.	Def.nr Part No.	Antal Qty	Benämning	Description	Anmärkning Notes
x 1	101259	1	Manöverventil .....	Control valve .....	
x 2	955542	3	Skruv	Bolt	
x 3	955827	3	Mutter	Nut	
x 4	940108	3	Fjäderbricka	Spring washer	
5	8012	1	Rak koppling .....	Hose connection, straight .....	
6	8613	1	Bussning	Bushing	
7	907137	1	Kopparbricka	Copper washer	
8	7606	6	Anslutningsnippel	Threaded union	
9	8596	5	Anslutningsnippel .....	Threaded union .....	
10	8167	2	Propp	Plug	
11	7715	1	Vinkelkoppling	Elbow union	
12	8062	1	Tredotätning	Seal	
13	8931	1	Koppling .....	Connector .....	
14	8424	1	T-koppling	T-shaped union	
15	8614	1	Bussning	Bushing	
	907139	1	Kopparbricka	Copper washer	
16	8777	1	Anslutningsnippel .....	Threaded union .....	
17	7656	1	T-rör	T-shaped pipe	
18	8783	1	Anslutningsnippel	Threaded union	
19	7610	1	Överströmningsventil /inst. - tryck 115/0/	Overflow valve /pressure setting 115/0 /	
20	8134	1	Vinkelkoppling .....	Elbow union .....	
21	E 3298	1	Oljerör	Oil pipe	
	956986	2	Överfallsmutter	Cap nut	
	956972	2	Skärring	Sealing cone	
22	9163	2	Hydraulslang .....	Hydraulic line .....	
23	9160	2	Hydraulslang	Hydraulic line	
24	9159	2	Hydraulslang	Hydraulic line	
25	9162	4	Hydraulslang	Hydraulic line	
26	9194	1	Plugg för högtrycksöverföring .	Plug for high-pressure transmission .....	
27	D 1753	1	Manöverskylt, komplett	Operating-sign plate, complete	
	D 1625	1	. Manöverskylt, dekal	. Operating-sign plate /transfer/	
28	E 3124/1	1	Manöverspak	Control lever	
29	E 3124/2	1	Manöverspak .....	Control lever .....	
30	E 3124/3	1	Manöverspak	Control lever	
31	E 3125/3	1	Manöverspak	Control lever	
32	E 3125/2	1	Manöverspak	Control lever	
33	9188	5	Konsol .....	Bracket .....	
34	9191	5	Cylindrisk pinne	Cylindrical pin	
35	9187	20	Låsring	Circlip	
36	9190	10	Länk	Link	



**Reservdelskatalog**  
**Parts catalogue**



SM 460

Manöverventil

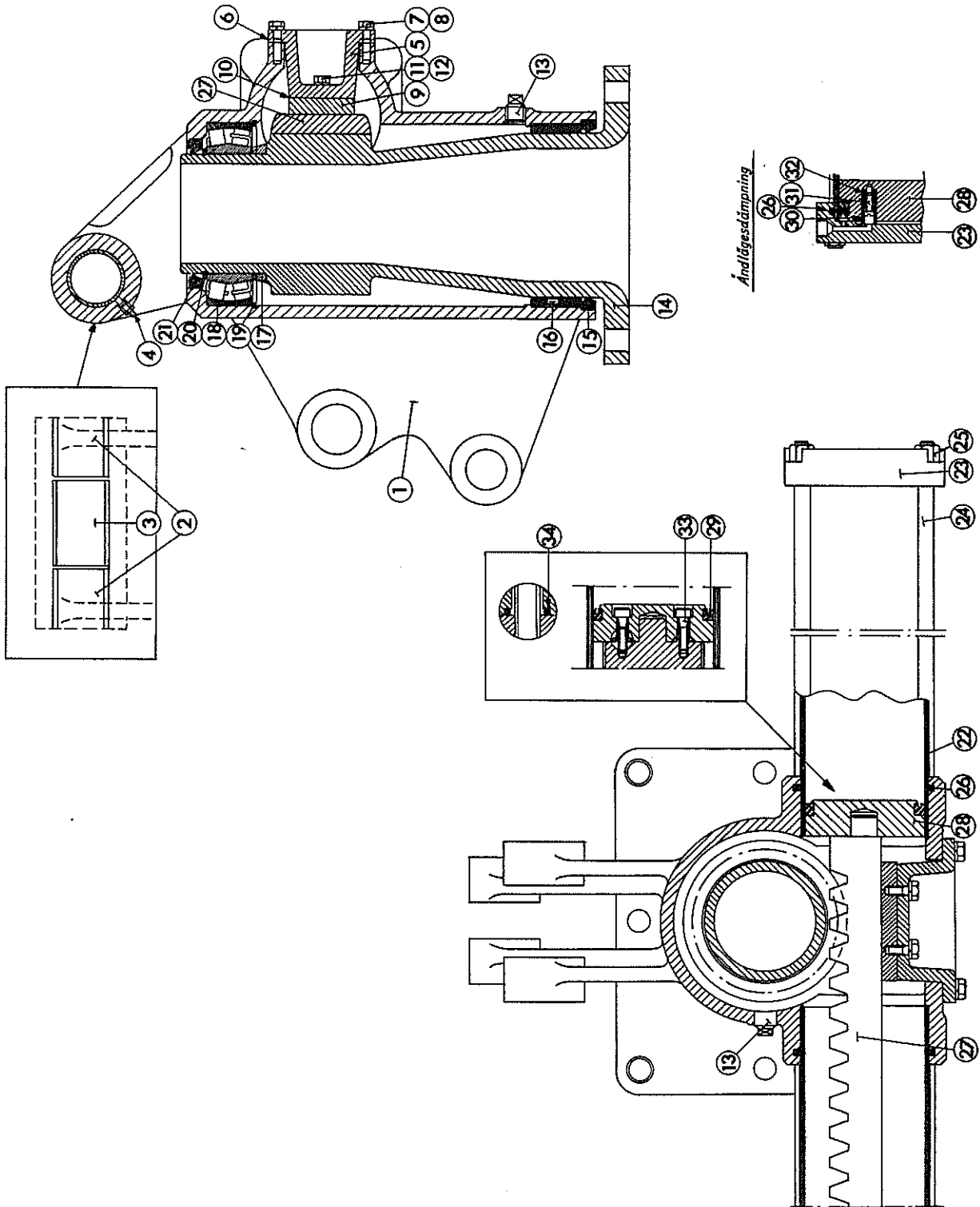
Control Valve

Grupp  
Group U 10

Sida  
Page 4

Pos. Fig.	Del.nr Part No.	Antal Qty	Benämning	Description	Anmärkning Notes
x 37	955659	5	Skruv .....	Bolt .....	
38	950383	5	Nylocmutter	Nyloc nut	
39	9193	5	Fjäderbricka	Spring washer	
40	9192	5	Cyl. pinne	Cylindrical pin	
x 41	955514	10	Skruv .....	Bolt .....	
x 42	955926	10	Fjäderbricka	Spring washer	
x	E 5598	*	Shims för ändkåpa	Shim for end cover	

\*  
 Antal efter behov.  
 Quantity as required.  
 Cantidad según necesidad.  
 Nombre suivant le besoin.  
 Anzahl nach Bedarf.



**Reservdelskatalog**  
**Parts catalogue**



SM 460

Grupp U 11  
Group

Sida 2  
Page

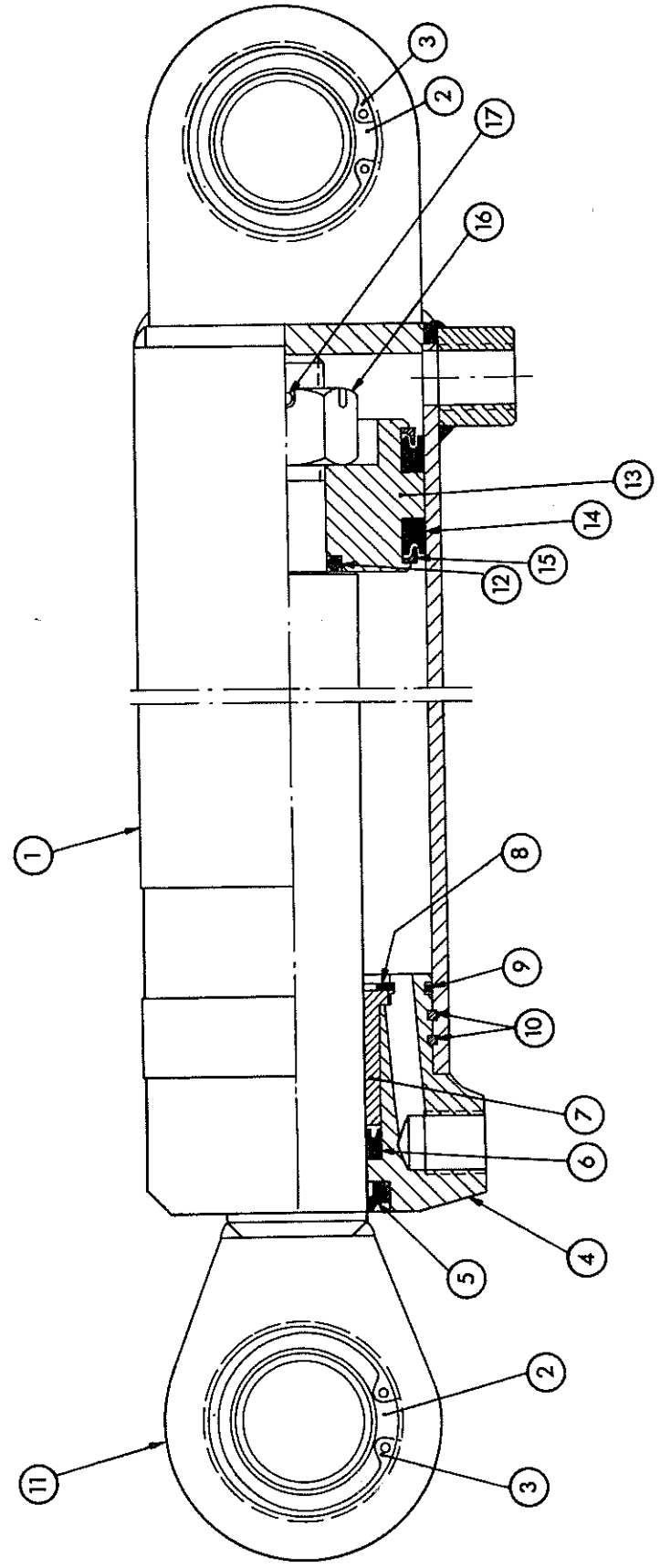
Vridanordning

Revolving Unit

Pos. Fig.	Def.nr Part No.	Antal Qty	Benämning	Description	Anmärkning Notes
1	A 1012 A	1	Hus .....	Housing .....	
2	8956	2	Bussning	Bushing	
3	E 1803	1	Distansrör	Spacing sleeve	
4	914167	1	Smörjnippel	Lubricator	
5	3117-6	1	Stödhylla .....	Supporting socket .....	
6	4117-16	1	Packning	Gasket	
x 7	955535	6	Skruv	Bolt	
8	940097	6	Bricka	Washer	
9	4117-22	1	Stödplatta .....	Backing plate .....	
10	4117-20	*	Shims	Shim	
10	4117-21	*	Shims	Shim	
x 11	940114	2	Skruv	Bolt	
12	940097	2	Bricka .....	Washer .....	
13	8168	2	Propp	Plug	
14	C 1176 B	1	Centrumtapp	Centering pin	
15	9048	1	Tätningring	Seal ring	
16	E 1491	1	Bussning .....	Bushing .....	
17	E 1471	1	Distansring	Spacing ring	
18	9049	1	Rullager	Roller bearing	
19	9046	1	Spärring	Circlip	
20	951081	1	Spärring .....	Circlip .....	
x 21	10027	1	Tätningring	Seal ring	
22	3120-7	2	Hydraulcylinder	Hydraulic cylinder	
23	D 1592	1	Lock, höger	Cover, R.H.	
	D 1591	1	Lock, vänster .....	Cover, L.H. ....	
24	4120-8	8	Dragstång	Pull rod	
25	8431	8	Låsmutter	Lock nut	
26	925030	4	O-ring	O-ring	
27	2120-6	1	Kuggstång .....	Rack .....	
28	D 1609	1	Kolv, höger	Piston, R.H.	
	D 1608	1	Kolv, vänster	Piston, L.H.	
29	8070	2	Tätningmanschett	Sealing collar	
30	E 2241	2	Hylsa .....	Sleeve .....	
31	E 2240	2	Skruv	Bolt	
32	E 2291	2	Fjäder	Spring	
33	956585	4	Skruv	Bolt	
34	925056	4	O-ring .....	O-ring .....	

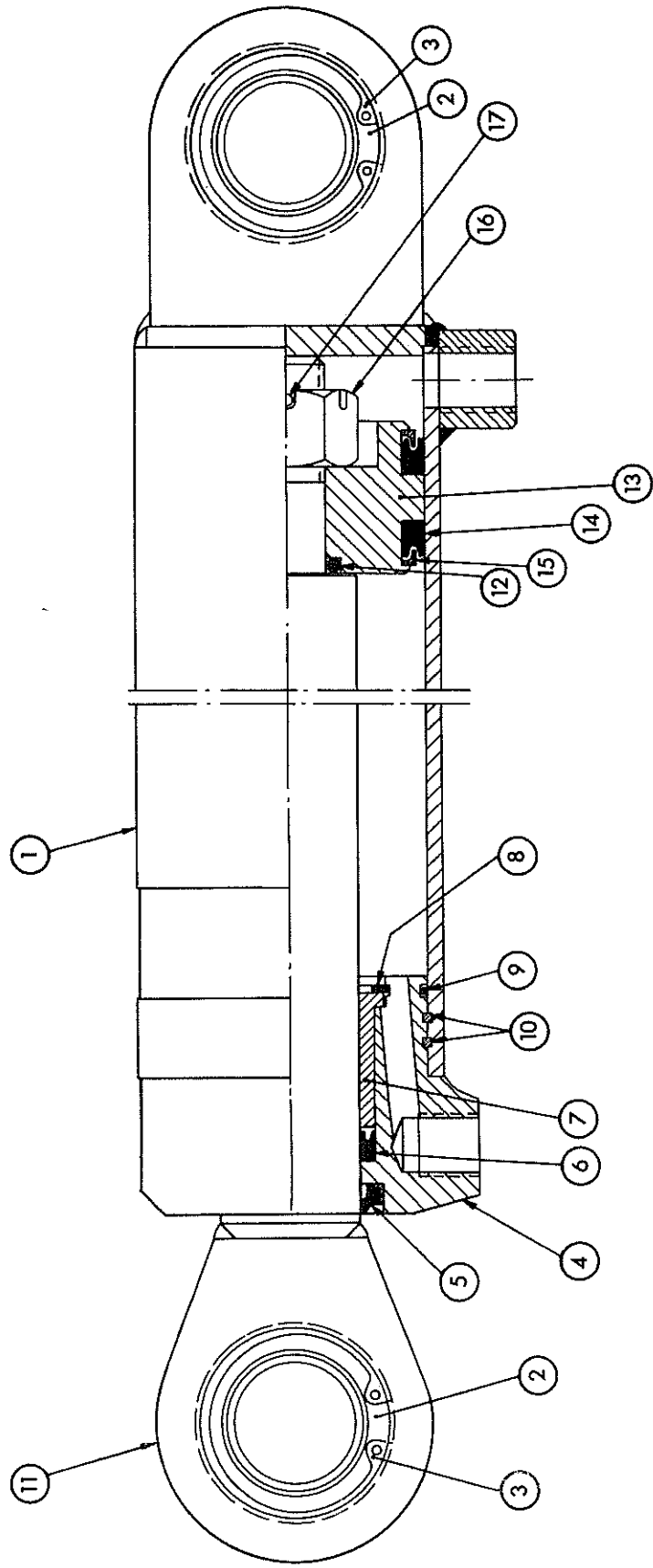
\* Antal efter behov.  
Quantity as required.  
Cantidad según necesidad.  
Nombre suivant le besoin.  
Anzahl nach Bedarf.

2726  
68-3, 2 E





Pos. Fig.	Def.nr Part No.	Antal Qty	Benämning	Description	Anmärkning Notes	
x	1	D 2230	1	Cylinderrör .....	Cylinder casing .....	
	2	9081	2	Länklager	Guide bearing	
	3	914533	4	Spärring	Circlip	
		101006	1	Lock, komplett	Cylinder bottom, complete	
	4	4136-7	1	. Lock .....	. Cylinder bottom .....	
x	5	8588	1	. Avstrykare /ing. i 100013/	. Oil scraper ring /incl. in 100013/	
x	6	8589	1	. Tätningsmanschett /ingår i 100013/	. Sealing collar /incl. in 100013/	
	7	4136-8	1	. Bussning .....	. Bushing .....	
	8	914533	1	. Spärring	. Circlip	
x	9	8148	1	O-ring /ingår i 100013/	O-ring /included in 100013/	
x	10	463-15	2	Låstråd /ingår i 100013/	Locking wire /incl. in 100013/	
x	11	D 2297	1	Kolvstång .....	Piston rod .....	
x	12	8149	1	O-ring /ingår i 100013/	O-ring /included in 100013/	
	13	4100-581	1	Kolv	Piston	
x	14	8586	2	Tätningsmanschett /ing. i 100013/	Sealing collar /incl. in 100013/	
	15	4100-580	2	Stödring .....	Retainer .....	
x	16	955889	1	Kronmutter	Castellated nut	
	17	907873	1	Saxpinne	Cotter pin	
		E 3143	2	Monteringsring för tätningsmanschett på kolv	Ring for fitting sealing collar onto piston	
x		100013	1	Packningsats .....	Set of gaskets .....	



Reservdelskatalog  
Parts catalogue



SM 460

Grupp U 13  
Group

Sida 2  
Page

Vipparmscylinder

Hydraulic Cylinder for Swing Arm

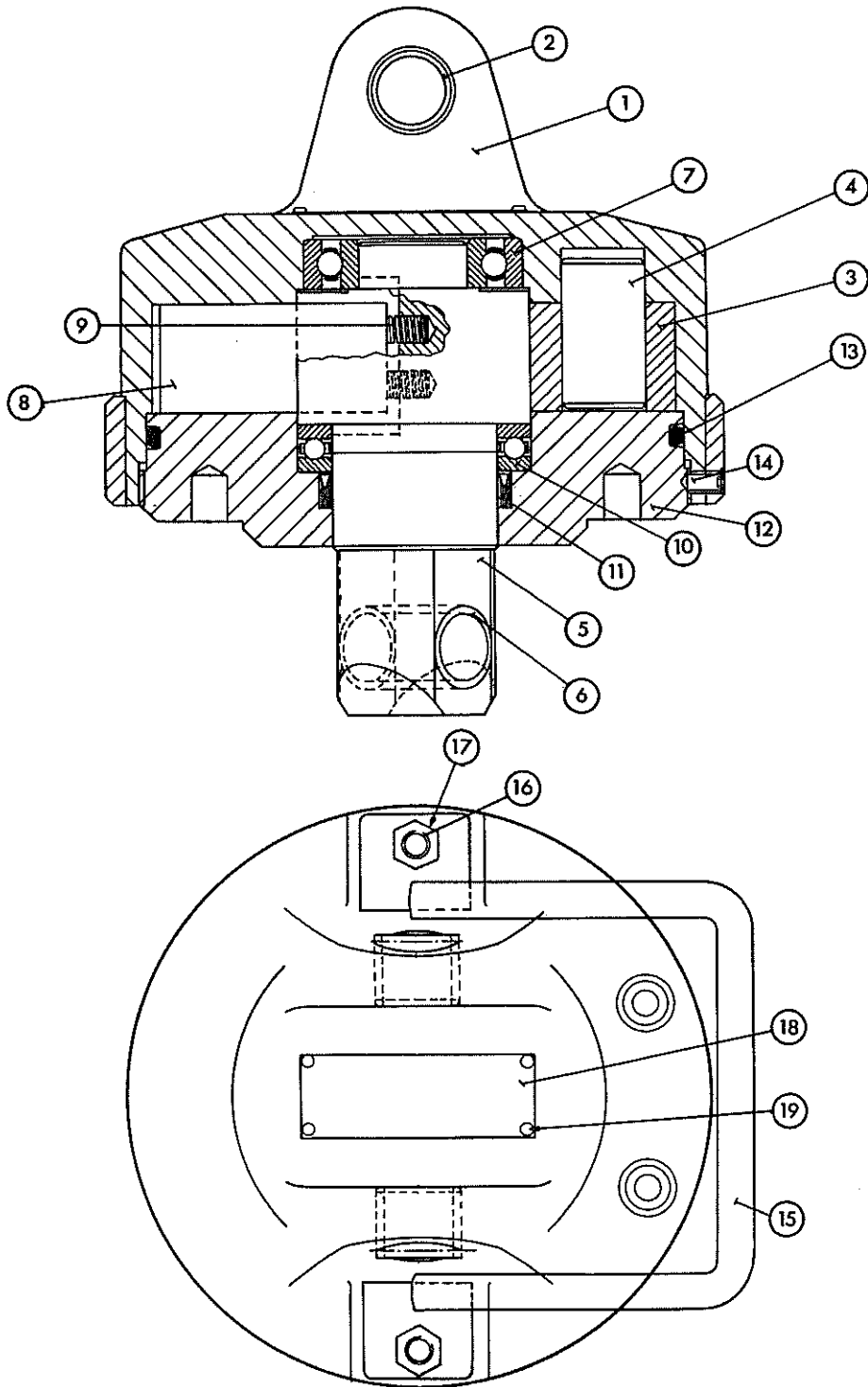
Pos. Fig.	Det.nr Part No.	Antal Qty	Benämning	Description	Anmärkning Notes
x 1	D 2232	1	Cylinderrör .....	Cylinder casing .....	
2	9081	2	Ledlager	Guide bearing	
3	914533	4	Spårring	Circlip	
	101006	1	Lock, komplett	Cylinder bottom, complete	
4	4136-7	1	. Lock .....	. Cylinder bottom .....	
x 5	8588	1	. Avstrykare /ing. i 100013/	. Oil scraper ring /incl. in 100013/	
x 6	8589	1	. Tätningsmanschett /ingår i 100013/	. Sealing collar /incl. in 100013/	
7	4136-8	1	. Bussning	. Bushing	
8	914533	1	. Spårring .....	. Circlip .....	
x 9	8148	1	O-ring /ingår i 100013/	O-ring /included in 100013/	
x 10	463-15	2	Låstråd /ingår i 100013/	Locking wire /incl. in 100013/	
x 11	D 2299	1	Kolvstång	Piston rod	
x 12	8149	1	O-ring /ingår i 100013/ .....	O-ring /included in 100013/ ...	
13	4100-581	1	Kolv	Piston	
x 14	8586	2	Tätningsmanschett /ingår i 100013/	Sealing collar /incl. in 100013/	
15	4100-580	2	Stödring	Retainer	
x 16	955889	1	Kronmutter .....	Castellated nut .....	
17	907873	1	Saxpinne	Cotter pin	
	E 1343	2	Monteringsring för tätningsmanschett på kolv	Ring for fitting sealing collar onto piston	
x	100013	1	Packningsats	Set of gaskets	

2726  
68-3, 2E

SM 460

Rotator

Rotator



## Reservdelskatalog



SM 460

Grupp  
Group U 14

## Parts catalogue

Rotator

Rotator

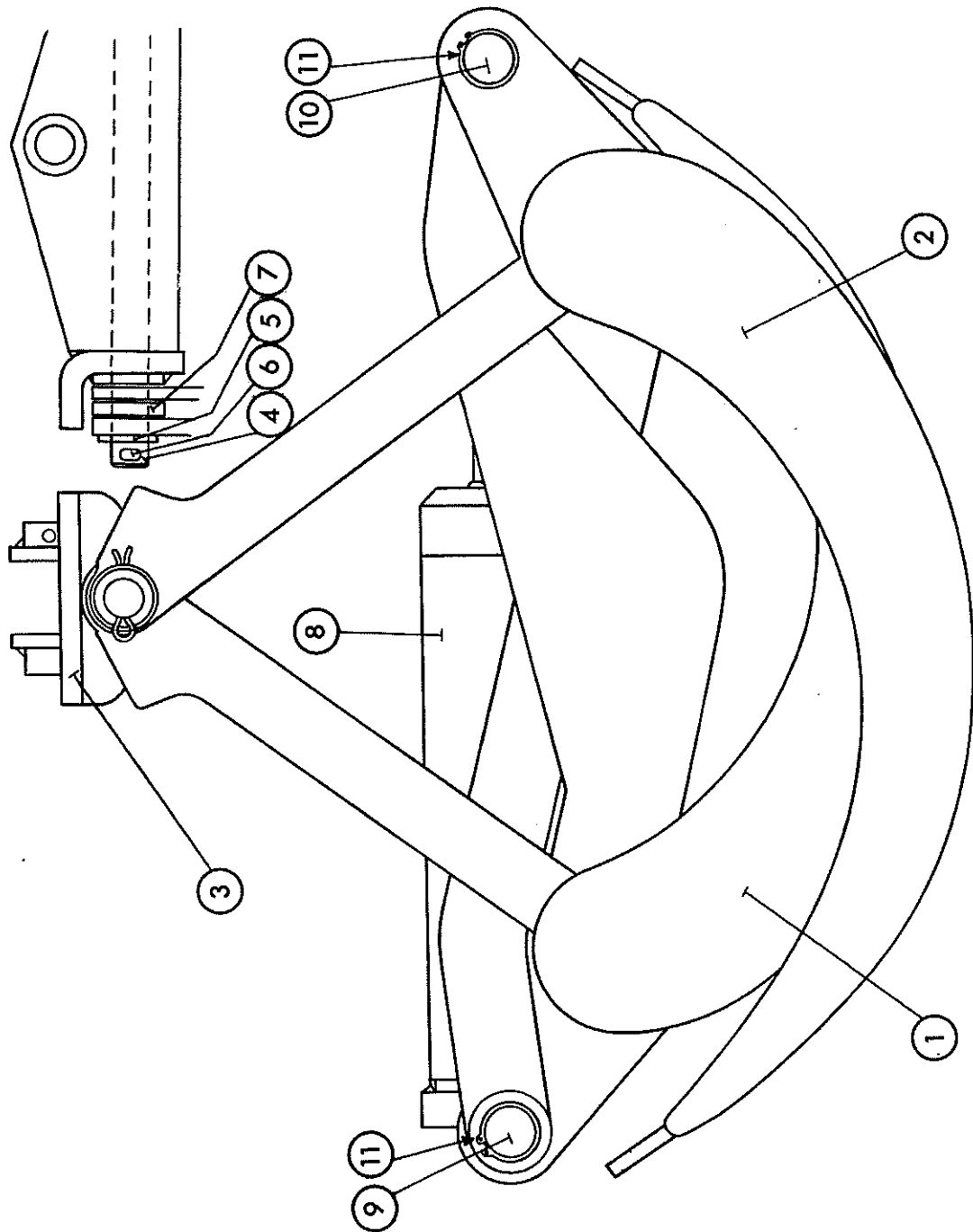
Sida  
Page 2

Pos. Fig.	Det.nr Part No.	Antal Qty	Benämning	Description	Anmärkning Notes
1	S. E. S.	1	Hus .....	Housing .....	
2	4134-10	2	Bussning	Bushing	
3	S. E. S.	1	Mellanvägg	Intermediate part	
4	S. E. S.	1	Tapp	Pin	
x 5	3134-19	1	Axel .....	Shaft .....	1)
x 6	D 2874	1	Axel	Shaft	2)
7	4134-9	1	Bussning	Bushing	
8	7132	1	Kullager	Ball bearing	
9	4134-8	1	Vinge .....	Blade .....	
10	8473	2	Fjäder	Spring	
11	8475	1	Axiallager	Thrust bearing	
12	8474	1	Tätningmanschett	Sealing collar	
13	S. E. S.	1	Lock .....	Cover .....	
14	925275	1	O-ring	O-ring	
15	8600	1	Stoppskruv	Set screw	
16	3134-14	1	Skyddsbygel	Protective yoke	
x 17	955534	2	Skruv .....	Bolt .....	
x 18	940108	2	Fjäderbricka	Spring washer	
19	8477	1	Dataskylt	Rating plate	
	7471	4	Drivskruv	Drive-in screw	

1) Tidigare utförande.  
Earlier model.  
Modelo más antiguo.  
Modèle plus ancien.  
Frühere Ausführung.

2) Senare utförande.  
Later model.  
Modelo más reciente.  
Modèle plus récent.  
Spätere Ausführung.

2726  
68-3, 2 E



Reservdelskatalog  
Parts catalogue



SM 460

Grupp U 15  
Group

Sida 2  
Page

Gripare

Grapple

Pos. Fig.	Det.nr Part No.	Antal Qty	Benämning	Description	Anmärkning Notes
1	B 1129	1	Inre gripklo .....	Grab claw, inner .....	
2	B 1130	1	Yttre gripklo	Grab claw, outer	
3	D 1332	1	Ok	Yoke	
4	E 1304	1	Axel	Shaft	
x 5	955905	2	Bricka .....	Washer .....	
6	9175	2	Saxpinne	Cotter pin	
7	E 1852	2	Mellanläggsbricka	Spacing washer	
x 8	C 2097	1	Hydraulcylinder	Hydraulic cylinder for grapple	
9	4135-12	1	Axel .....	Shaft .....	
10	4135-11	1	Axel	Shaft	
11	914465	4	Spärring	Circlip	
	914167	4	Smörjnippel	Lubricator	

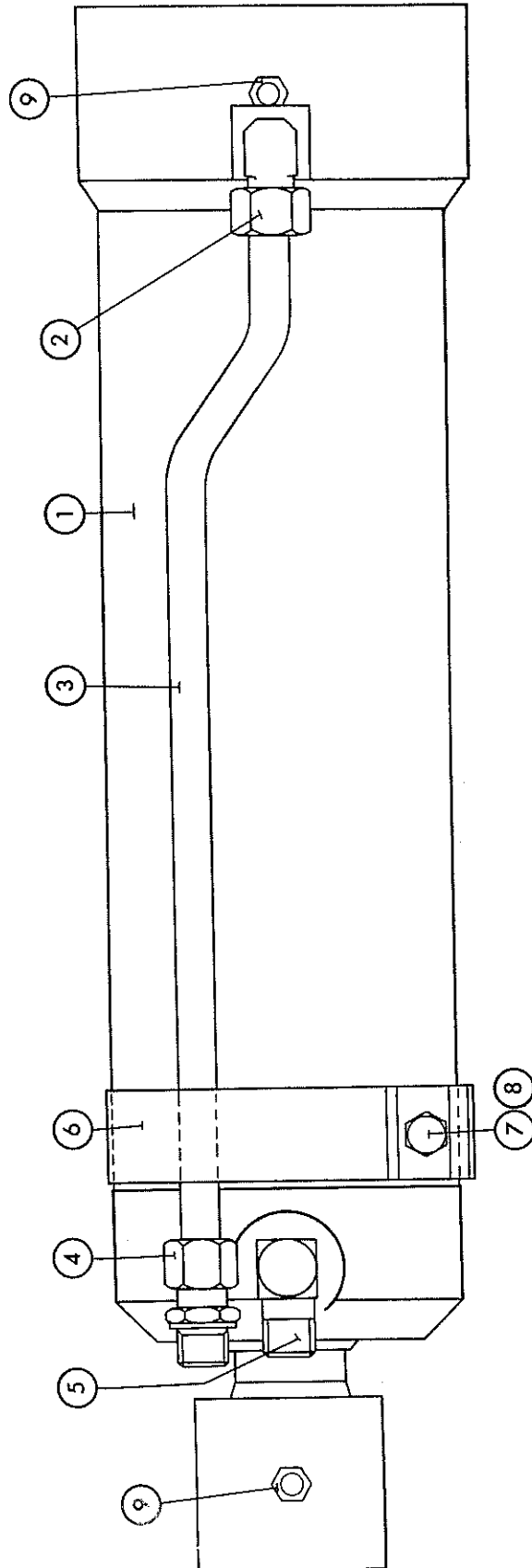
2726

68-3, 2 E

SM 460



Griparcylinder Hydraulic Cylinder for Grapple



Reservdelskatalog  
Parts catalogue



SM 460

Grupp  
Group U 16

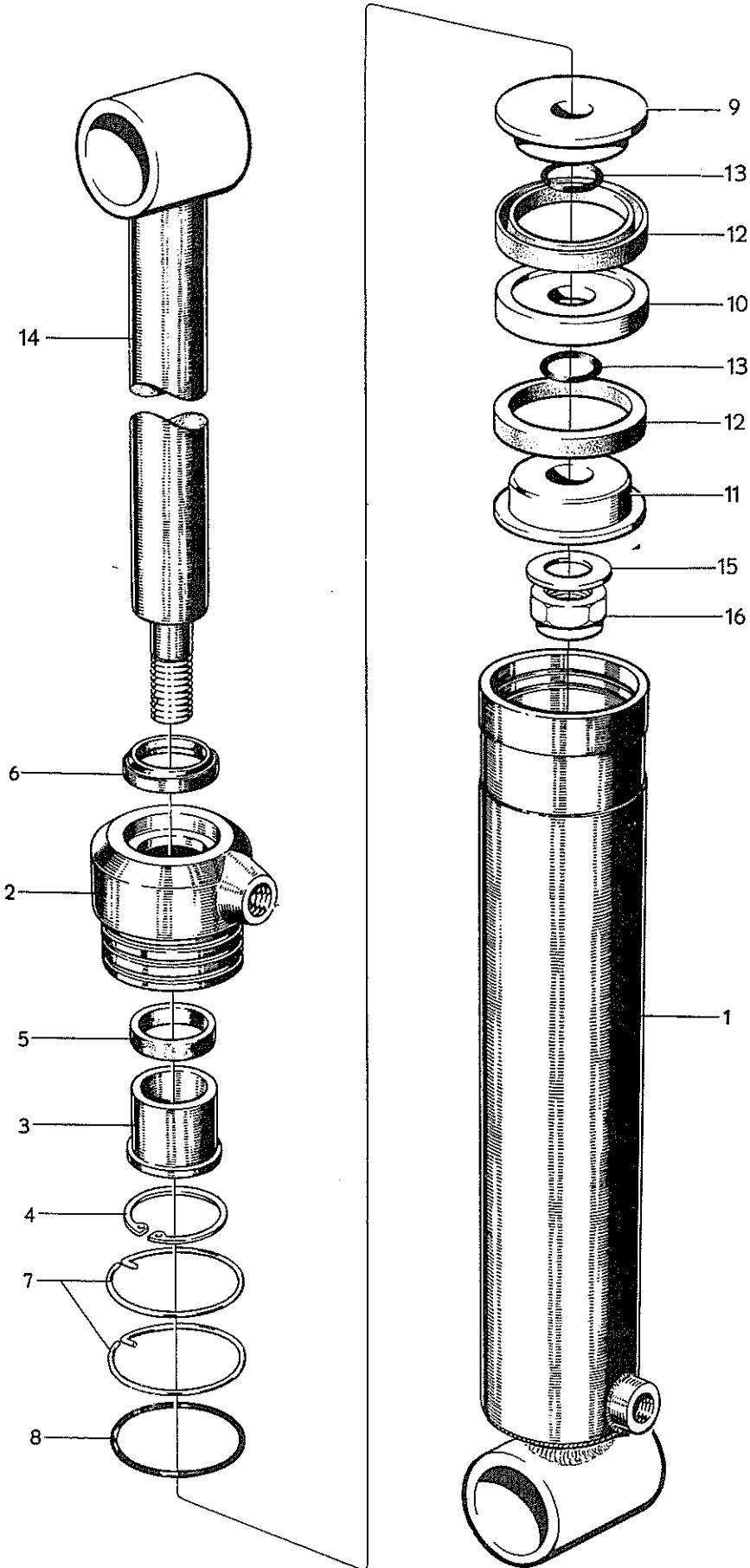
Sida  
Page 2

Griparcylinde

Hydraulic Cylinder for Grapple

Pos. Fig.	Det.nr Part No.	Antal Qty	Benämning	Description	Anmärkning Notes
x 1	C 2100	1	Hydraulicylinder .....	Hydraulic cylinder .....	Se U 17, See U 17
x 2	100025	1	Vinkelkoppling	Angular connection	
3	E 1953	1	Oljerör	Oil pipe	
	956984	2	Överfallsmutter	Cap nut	
	956970	2	Skärring .....	Sealing cone .....	
4	E 3300	1	Rak koppling	Hose connection, straight	
5	8782	1	Anslutningskoppling	Threaded union	
x 6	951801	1	Klamma	Clamp	
x 7	940159	1	Skruv .....	Bolt .....	
x 8	955826	1	Mutter	Nut	
9	914167	2	Smörjnippel	Lubricator	

2726  
68-3, 2 E



Reservdelskatalog  
Parts catalogue



SM 460

Grupp U 17  
Group

Sida 2  
Page

Hydraulcylinder

Hydraulic Cylinder

Pos. Fig.	Del.nr Part No.	Antal Qty	Benämning	Description	Anmärkning Notes
x 1	C 2101	1	Cylinder .....	Cylinder casing .....	1)
	101016	1	Lock, komplett	Cylinder cover, complete	
2	3115-3	1	. Lock	. Cylinder cover	
3	4115-5	1	. Bussning	. Bushing	
4	914526	1	. Spärring .....	. Circlip .....	
5	7990	1	. Tätningsmanschett	. Sealing collar	
6	7992	1	. Avstrykare	. Oil scraper ring	
7	4115-13	2	Låstråd	Locking wire	
8	925258	1	O-ring .....	O-ring .....	
9	E 3150	1	Inre tätningshållare	Seal retainer, inner	
10	E 3151	1	Mellanring	Intermediate ring	
11	E 3152	1	Yttre tätningshållare	Seal retainer, outer	
12	7991	2	Tätningsmanschett .....	Sealing collar .....	
13	8149	2	O-ring	O-ring	
14	3135-19	1	Kolvstång	Piston rod	
x 15	955905	1	Bricka	Washer	
16	8775	1	Mutter .....	Nut .....	

1) Vid byte av cylinder till C 2100 skall vinkelkoppling 100035 medlevereras.  
When replacing the cylinder up to C 2100, 1 elbow union 100035 should be delivered, too.  
Al reemplazar el cilindro hasta el C 2100 debe suministrarse también 1 racor acodado 100035.  
En remplaçant le cylindre jusqu'au C 2100 il faut aussi xelivrer 1 raccord coudé 100035.  
Beim Ersetzen von Zylinder bis C 2100 muss auch 1 Winkelnippel 100035 mitgeliefert werden.

2726

68-3, 2 E

Reservdelskatalog  
Parts catalogue



SM 460

Grupp U 19  
Group  
Sida Page 2

Stödcylinder

Supporting Cylinder

Pos. Fig.	Det.nr Part No.	Antal Qty	Benämning	Description	Anmärkning Notes
	C 1713	1	Hydraulcylinder, komplett .....	Hydraulic cylinder, complete ....	
1	D 2354	1	. Cylinder	. Cylinder casing	
2	D 2262	1	. Kolvstång	. Piston rod	
3	E 3679	1	. Stödring	. Supporting ring	
4	9104	1	. Stoppskruv .....	. Set screw .....	
5	D 2264	1	. Lock	. Cylinder cover	
6	9609	1	. Tätningsmanschett /ingår i 100015/	. Sealing collar /included in 100015/	
7	8828	1	. Avstrykare /ingår i 100015/	. Oil scraper ring /incl. in 100015/	
8	8148	1	. O-ring /ingår i 100015/ .....	. O-ring /included in 100015/ ....	
9	463-15	2	. Låsring /ingår i 100015/	. Lock ring /included in 100015/	
10	D 2011	2	Länkkors	Cross link	
11	E 1811	2	Lagertapp, t. o. m. lastenh. 1179	Bearing pin, up to trailer No. 1179	1)
12	955538	2	Skruv, t. o. m. lastenhét 1179 ....	Bolt, up to trailer No. 1179 .....	
13	8427	2	Låsmutter, t. o. m. lastenh. 1179	Lock nut, up to trailer No. 1179	
x 11	6624936	2	Lagertapp, fr. o. m. lastenh. 1180	Bearing pin, trailer No. 1180 and onwards	
	955589	2	Skruv, fr. o. m. lastenhét 1180	Bolt, trailer No. 1180 and onwards	
x	6621451	2	Bricka, fr. o. m. lastenhét 1180...	Washer, trailer No. 1180 and onwards	
14	E 3250	2	Lagertapp	Bearing pin	
x 15	6621451	2	Bricka	Washer	
16	955589	2	Skruv	Bolt	
17	955926	2	Fjäderbricka .....	Spring washer .....	
	100015	1	Packningsats	Set of gaskets	

2726

68-3, 2 E

1) Vid beställning av lagertapp E 3146 t. o. m. tillv. nr 1179 skall även 2 st 955589 skruv och 2 st 9197 bricka medlevereras.  
When ordering Bearing pin E 3146 up to serial No. 1179 2 bolts 955589 and 2 washers 9197 should be also delivered.  
Al pedir pivote E 3148 hasta el no. de fabricación 1179 deben también suministrarse 2 tornillos 955589 y 2 arandelas 9197.  
Lors d'une commande du pivot E 3146 jusqu'au No. de fabrication 1179 il faut aussi livrer 2 vis 955589 et 2 rondelles 9197.  
Bei Bestellung von Lagerzapfen E 3146 bis Herstell. -Nr. 1179 müssen 2 Schrauben 955589 und 2 Scheiben 9197 mitgeliefert werden.

